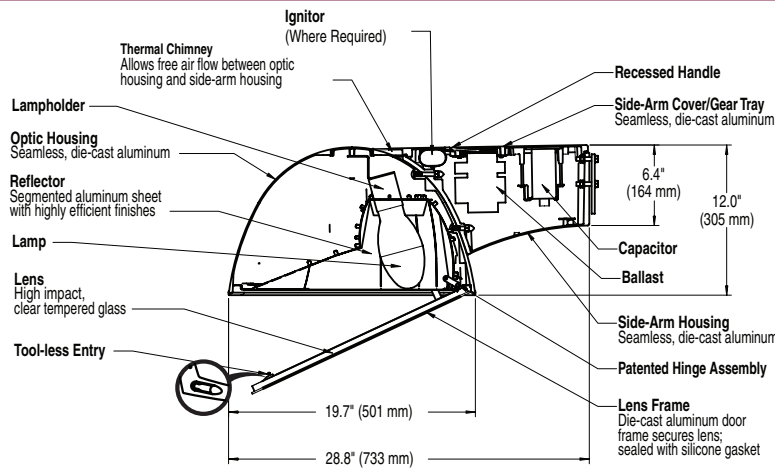


AERODOME™ PARKING/ROADWAY (TYPE III)



Notes

SPEC # WATTAGE CATALOG #

PULSE START METAL HALIDE

<input type="checkbox"/>	SPEC #	150W PSMH	AVV3(c)615-(a)(b)
<input type="checkbox"/>	SPEC #	250W PSMH	AVV3(c)625-(a)(b)
<input type="checkbox"/>	SPEC #	320W PSMH	AVV3(c)632-(a)(b)
<input type="checkbox"/>	SPEC #	350W PSMH	AVV3(c)635-(a)(b)
<input type="checkbox"/>	SPEC #	400W PSMH	AVV3(c)640-(a)(b)

HIGH PRESSURE SODIUM

<input type="checkbox"/>	SPEC #	150W HPS	AVV3(c)515-(a)(b)
<input type="checkbox"/>	SPEC #	250W HPS	AVV3(c)525-(a)(b)
<input type="checkbox"/>	SPEC #	400W HPS	AVV3(c)540-(a)(b)

Specify (a) Voltage, (b) Options & (c) Mounting/Rotatable Optics.

Ⓛ Reduced envelope lamp; ED28 for 320 – 400W PSMH

(a) VOLTAGE SUFFIX KEY

D	120/277V
M	120/208/240/277V (Standard)
T	120/277/347V (Canada Only)
1	120V
2	277V
27	277V Reactor (PSMH Only)
3	208V
4	240V
5	480V
6	347V (Canada Only)

For voltage availability outside the US and Canada, see Bulletin TD-9 or contact your Ruud Lighting authorized International Distributor.

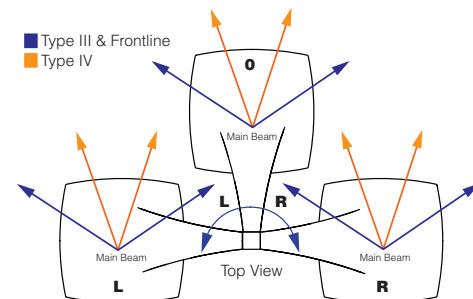
(b) OPTIONS (factory-installed)

-(a)F	Fusing
-(a)P	Button Photocell
-5P	External Photocell (for 480V)

Specify (a) Single Voltage — See Voltage Suffix Key

(c) MOUNTING/ROTATABLE OPTICS

O	Standard Configuration
L	Rotated Left of Standard Configuration
R	Rotated Right of Standard Configuration



GENERAL DESCRIPTION

Parking lot and roadway full cutoff luminaire for HID lamp, totally enclosed. Housing is seamless, die-cast aluminum. Electrical components are heat-sunked and contained in mounting arm assembly (direct mount configuration). Lens assembly consists of tool-less quick release frame constructed of rigid aluminum and high-impact, clear-tempered glass. High-temperature silicone gasket seals lens from water and insects.

FINISH

Exclusive Colorfast DeltaGuard® finish features an E-coat epoxy primer with medium bronze ultra-durable powder topcoat, providing excellent resistance to corrosion, ultraviolet degradation and abrasion. The finish is covered by our seven-year limited warranty.

ELECTRICAL

Fixture includes clear, mogul-base lamp. 320 – 400W PSMH utilize the ED28 reduced envelope lamp. Pulse-rated porcelain enclosed, 4kv rated screw-shell-type lampholder with spring-loaded center contact. Lamp ignitor included where required. All ballast assemblies are high-power factor and use the following circuit type:

277V Reactor
150 – 400W PSMH

HX — High Reactance
150W PSMH

CWA — Constant Wattage Autotransformer
250 – 400W PSMH; 150 – 400W HPS

LABELS

ANSI lamp wattage label supplied, visible during relamping. UL Listed in US and Canada for wet locations.

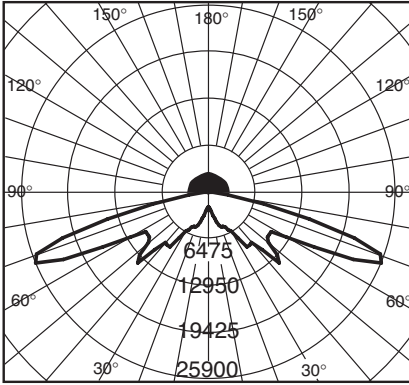
PATENTS

US 4,689,729; D531,882; Canada 108888; Other Patents Pending

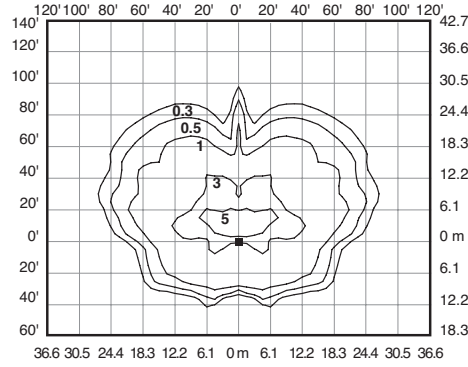
ACCESSORIES: (field-installed)

AVRP-3	Round Pole Adaptor (fits 4" – 6" dia. pole)
SBL-AVV20C	External Full-Cutoff Shield
SBL-AVV20E	External Backlight Shield

Isofootcandle plots show initial footcandles at grade. (Footcandles ÷ 0.0929 = Lux)



Lighting Sciences Inc.
Certified Test Report No. LSI 23054
Candlepower distribution curve of 400W PSMH
AeroDome Light.



Isofootcandle plot of 400W PSMH AeroDome
Light at 25' (7.6 m) mounting height.
(Plan view)