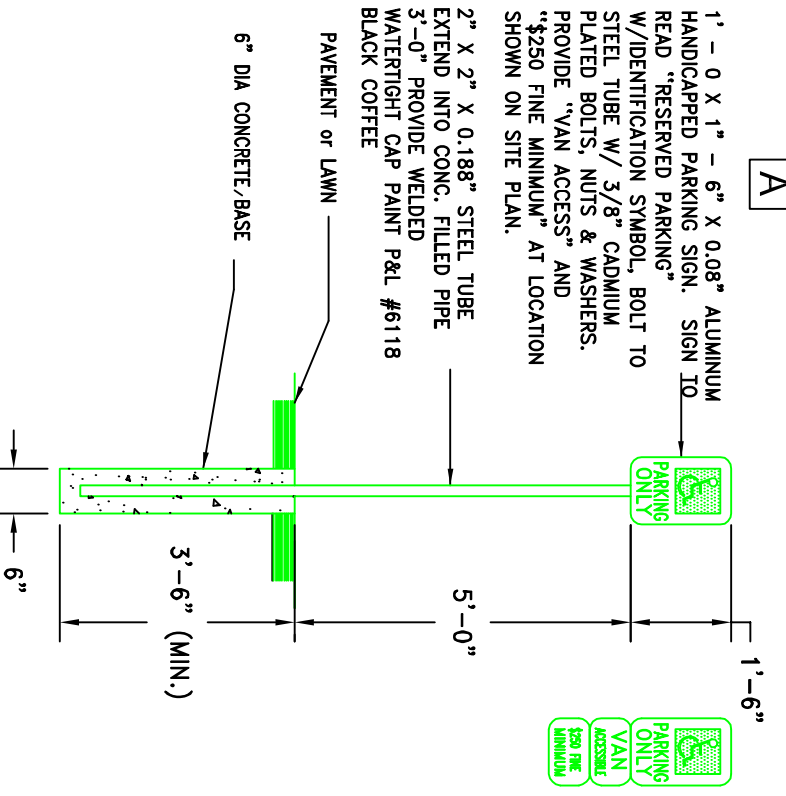
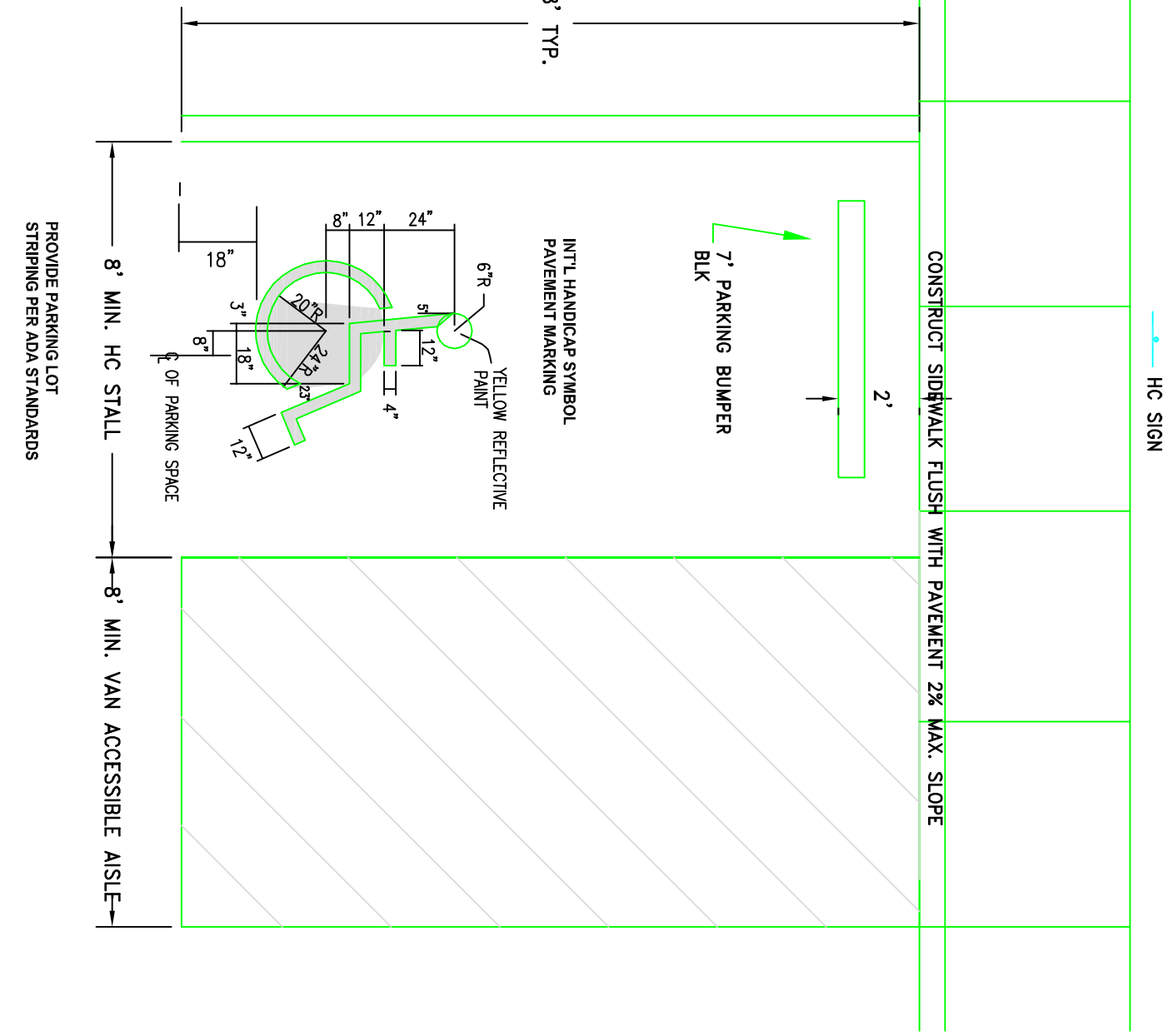


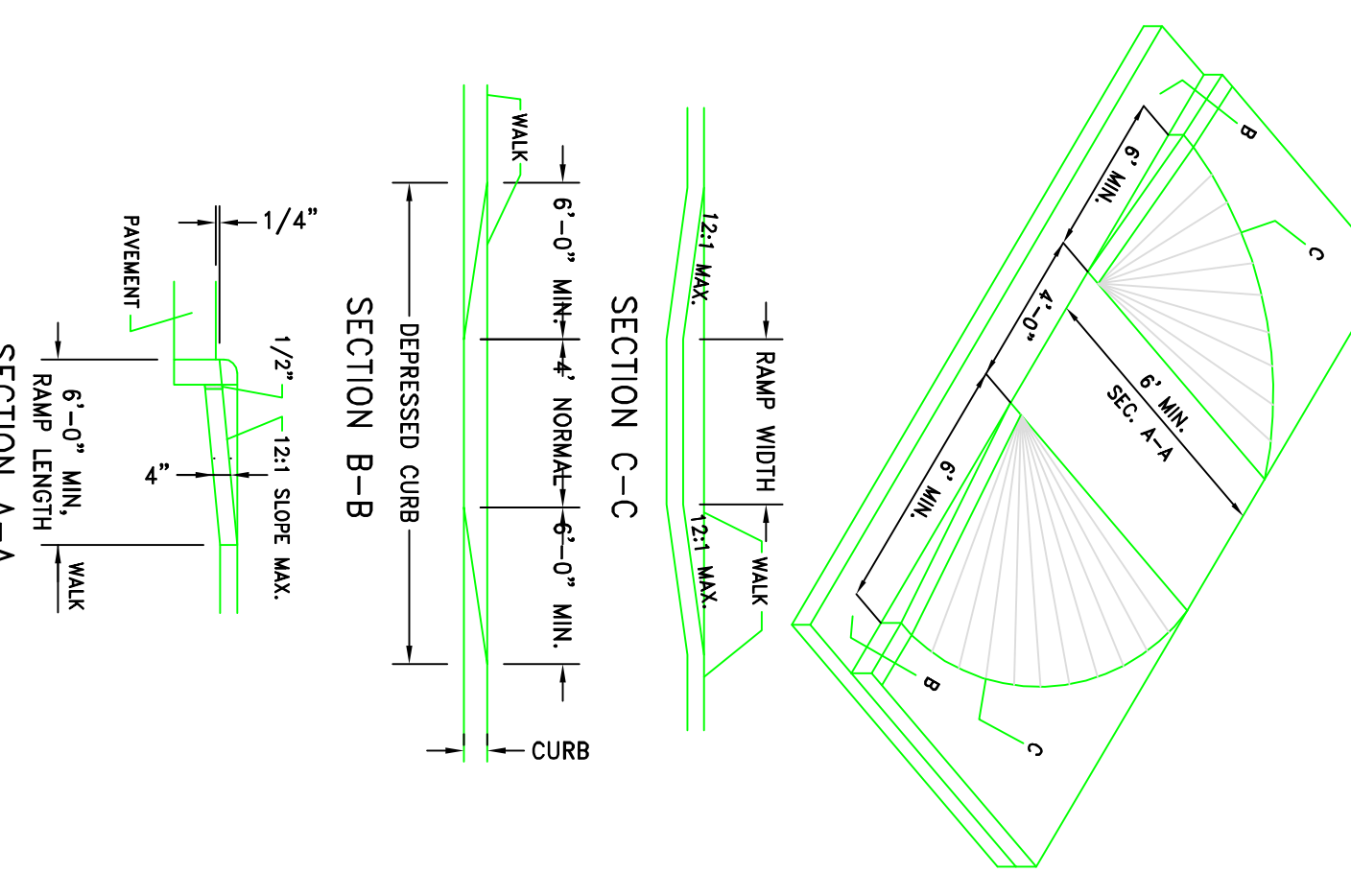
SIGN PANEL DESCRIPTION
 International Symbol of Accessibility & Handicap Parking Sign
 Background Color: Blue Symbol, Text, Border Color: White
 (Location of Signage Where Indicated on Plans)



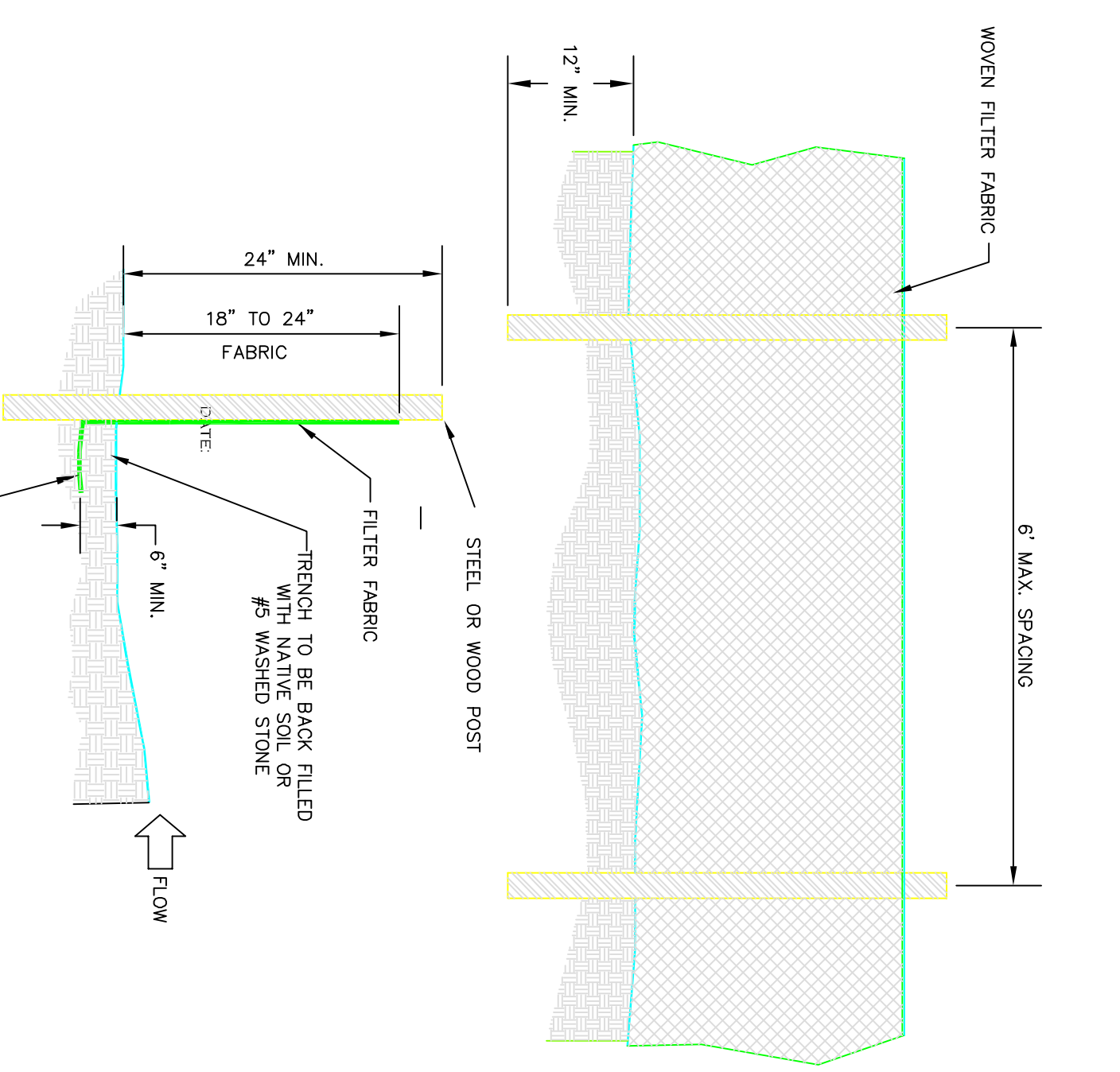
HANDICAP PARKING SIGN
 NOT TO SCALE



HANDICAP PARKING STALL & RAMP
 NOT TO SCALE

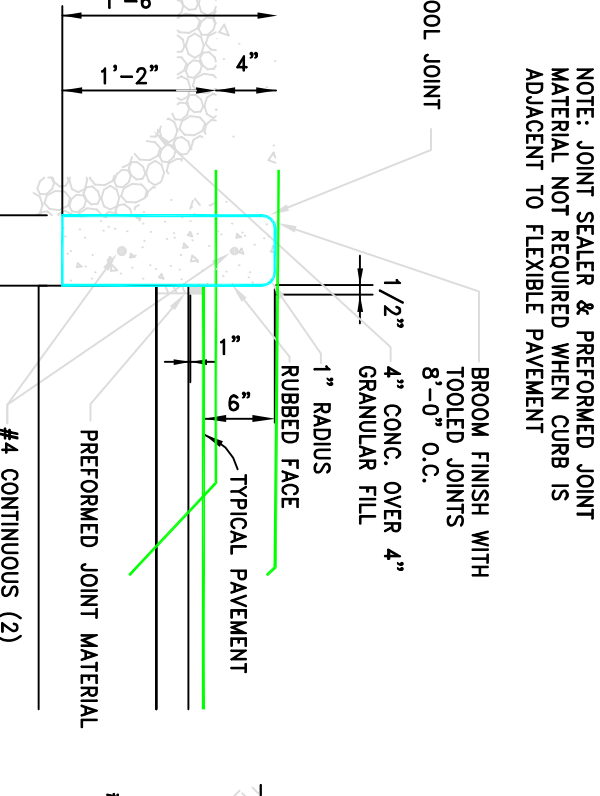


HANDICAP RAMP DETAIL TYPE '1'
 NOT TO SCALE

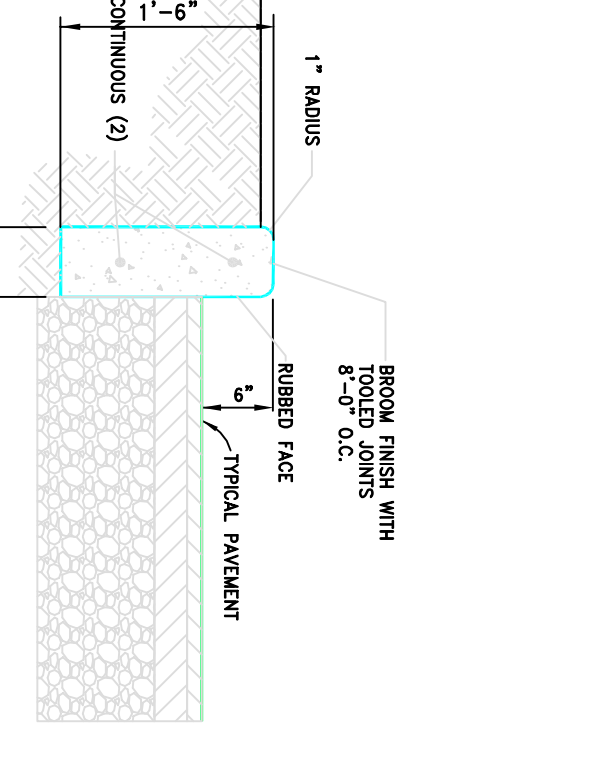


TEMPORARY SILT FENCE
 NOT TO SCALE

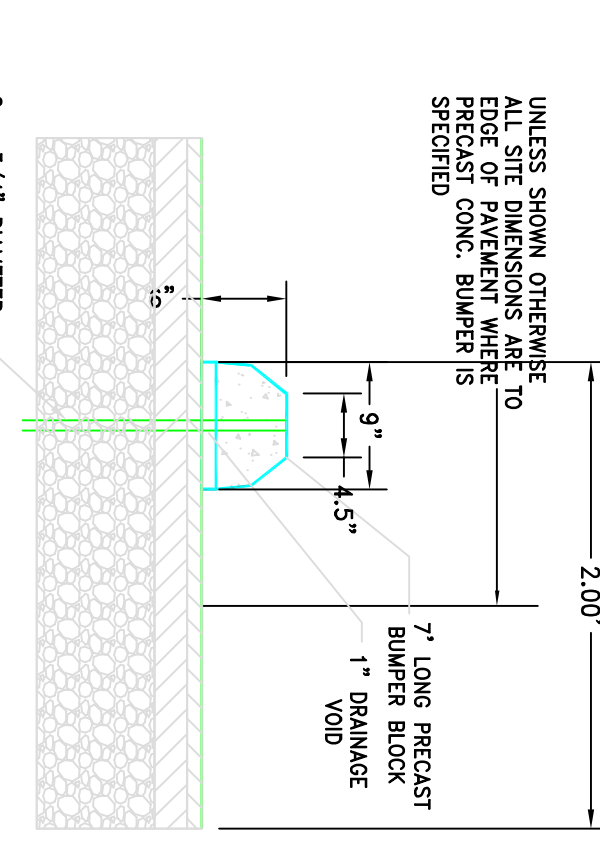
- SILT FENCE NOTES**
- THE FENCE SHOULD BE PLACED ACROSS THE SLOPE ALONG A LINE OF UNIFORM ELEVATION (PENDULOUS TO THE DIRECTION OF FLOW). THE FENCE SHOULD BE LOCATED AT LEAST 10-FEET FROM THE TOP OF STEEP SLOPES TO PROVIDE SEDIMENT STORAGE AND ACCESS FOR MAINTENANCE AND CLEANOUT. THE ENDS SHOULD BE TURNED UP SLOPE TO CREATE THE BACKS FOR POUNDING WATER.
 - A FLAT-BOTTOM TRENCH APPROXIMATELY 6-INCHES WIDE AND 6-INCHES DEEP, OR A V-SHAPED TRENCH 8-INCHES DEEP SHOULD BE EXCAVATED ON THE DOWNSLOPE SIDE OF THE TRENCH, DRIVE THE 2-INCH X 2-INCH WOOD POSTS AT LEAST 12-INCHES INTO THE GROUND, SPACING THEM NO FURTHER THAN 6-FEET APART. STEEL POSTS SHALL BE 1.35 LBS PER LINEAR FOOT.
 - POSTS SHOULD BE INSTALLED WITH 1- TO 2-INCHES OF THE POST PROTRUDING ABOVE THE TOP OF THE FABRIC AND NO MORE THAN 3- FEET OF THE POST SHOULD PROTRUDE ABOVE THE GROUND. THE MINIMUM FENCE HEIGHT (HEIGHT OF FILTER FABRIC ABOVE GRADE) SHALL BE 18-INCHES. THE MAXIMUM FENCE HEIGHT (HEIGHT OF FILTER FABRIC ABOVE GRADE) SHALL BE 24-INCHES.
 - THE FILTER FABRIC SHOULD BE PURCHASED IN A CONTINUOUS ROLL AND CUT TO THE LENGTH OF THE BARRIER TO AVOID THE USE OF JOINTS. WHEN JOINTS ARE NECESSARY, FILTER CLOTH SHOULD BE WAPPED TOGETHER ONLY AT A SUPPORT POST WITH BOTH ENDS SECURELY FASTENED TO THE POST, WITH A MINIMUM 6-INCH OVERLAP.
 - EXTRA-STRENGTH FILTER CLOTH (50 POUNDS/LINEAR INCH MINIMUM TENSILE STRENGTH) SHOULD BE USED. A 2-INCH WIDE LATEX SHALL BE FASTENED OVER THE FILTER FABRIC TO SECURELY HEAVY-DUTY WIRE STAPLES SPACED A MAXIMUM OF 8-INCHES APART.
 - PLACE THE BOTTOM 12-INCHES OF THE FILTER FABRIC INTO THE 6-INCH DEEP TRENCH, EXTENDING THE REMAINING 6-INCHES TOWARDS THE UPSLOPE SIDE OF THE TRENCH AND BACKFILL THE TRENCH WITH SOIL OR GRAVEL AND COMPACT.
 - REINFORCED SILT FENCE SHALL USE STEEL POSTS AND 6-INCH BY 6-INCH 14 GAUGE WIRE MESH. THE WIRE MESH SHALL BE FASTENED TO THE UPSLOPE SIDE OF THE TRENCH USING HEAVY DUTY WIRE STAPLES AT LEAST 1-INCH LONG, THE WIRES, OR HOG RINGS. EXTEND THE MESH 6-INCHES INTO THE TRENCH. THE FILTER FABRIC SHALL BE FASTENED TO THE FENCE ON THE UPSLOPE SIDE OF THE WIRE MESH.
 - SILT FENCE MOVED TO PROVIDE CONSTRUCTION ACCESS SHALL BE REINSTALLED BY THE END OF THE WORKDAY.
 - SILT FENCE SHOULD BE REMOVED WITHIN 30 DAYS AFTER FINAL SITE STABILIZATION IS ACHIEVED OR AFTER TEMPORARY BMP'S ARE NO LONGER NEEDED. TRAPPED SEDIMENT SHOULD BE REMOVED OR STABILIZED ON SITE. DISTURBED AREAS RESULTING FROM FENCE REMOVAL SHALL BE PERMANENTLY STABILIZED PER FINAL RESTORATION REQUIREMENTS.



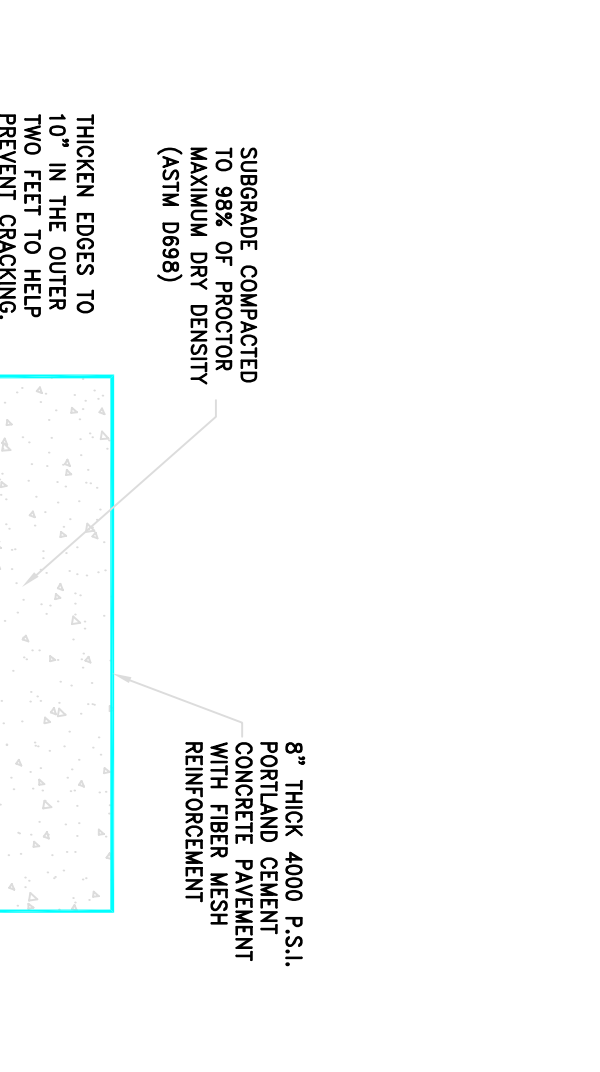
INTEGRAL SIDEWALK/CURB
 NOT TO SCALE



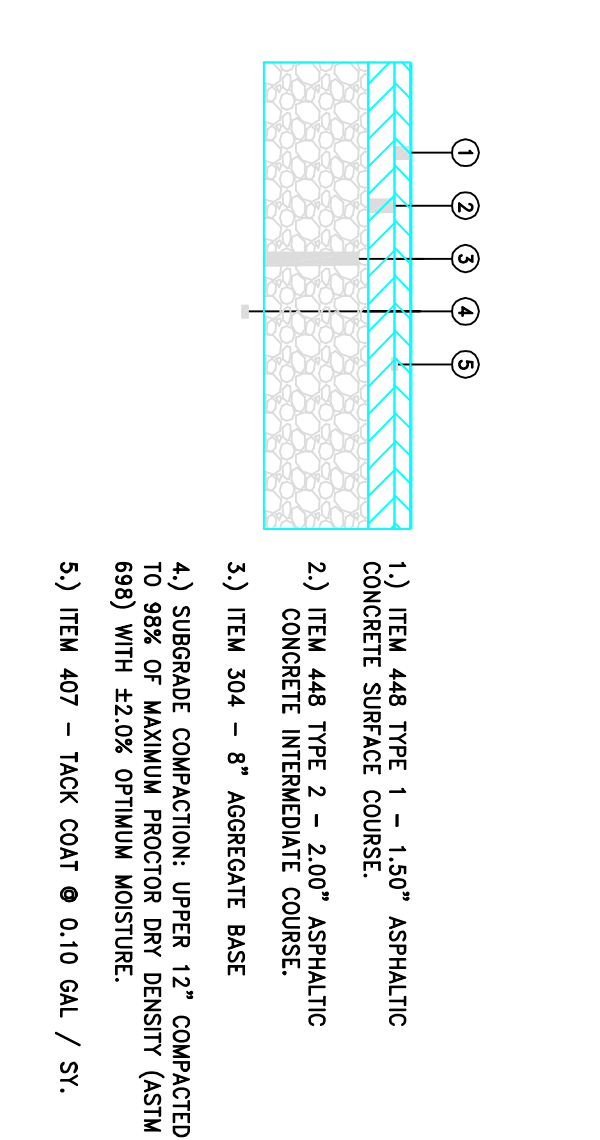
18" VERTICAL HEADER CURB
 NOT TO SCALE



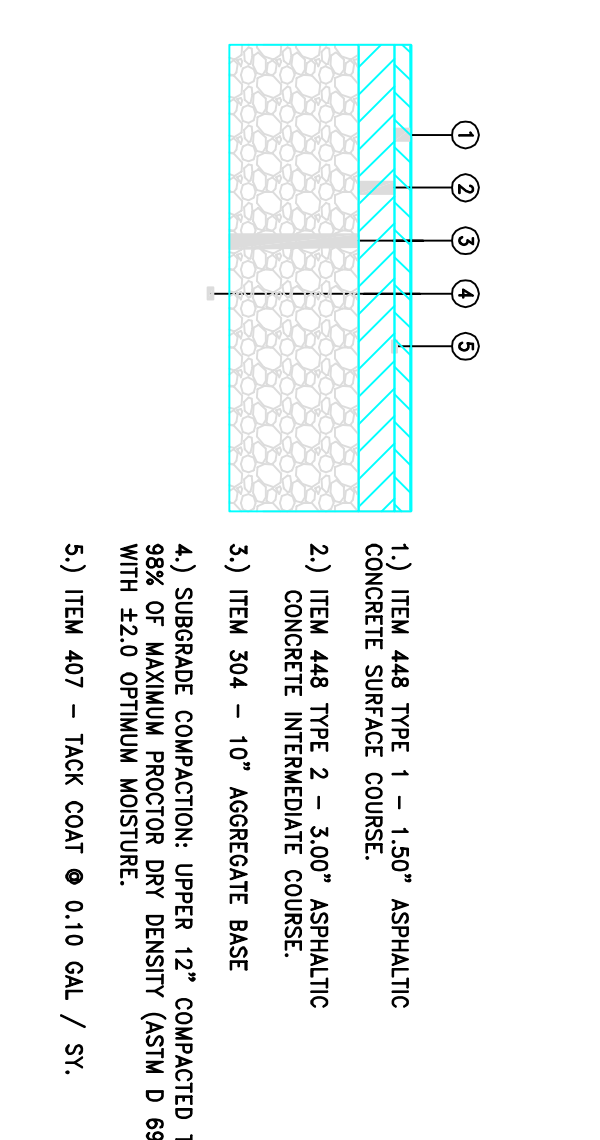
PRECAST CONCRETE BUMPER
 NOT TO SCALE



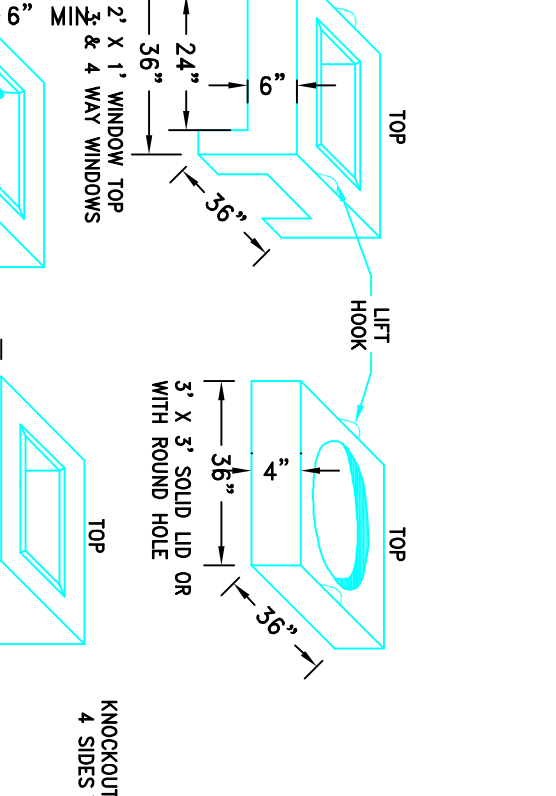
8" HEAVY DUTY CONCRETE PAVING
 NOT TO SCALE



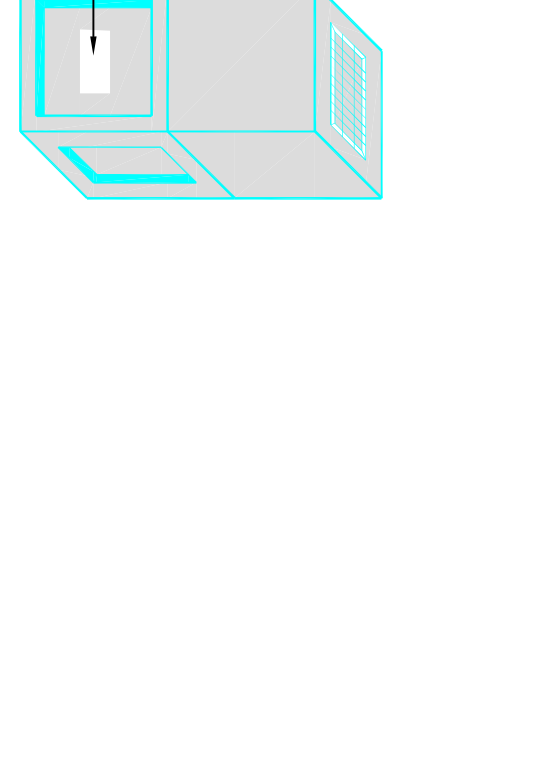
LIGHT DUTY BITUMINOUS ASPHALT PAVEMENT TYPICAL SECTION AGGREGATE BASE
 NOT TO SCALE



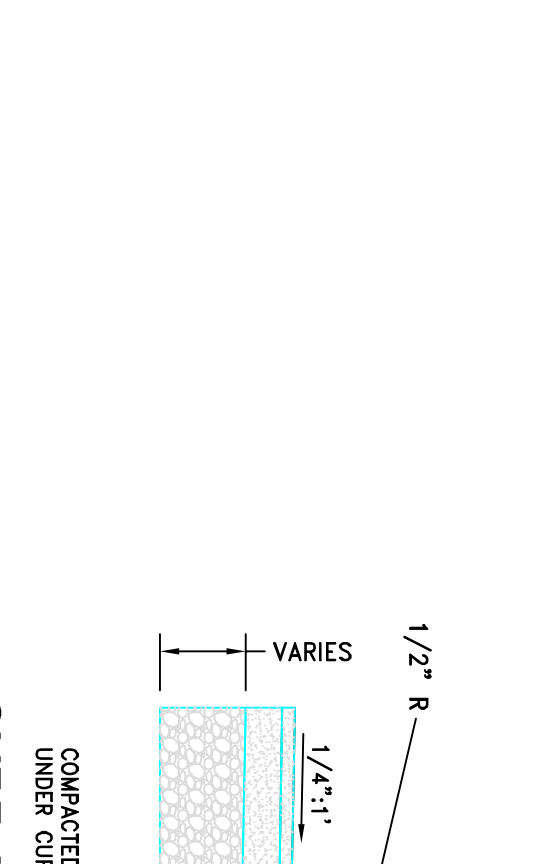
HEAVY DUTY BITUMINOUS ASPHALT PAVEMENT TYPICAL SECTION AGGREGATE BASE
 NOT TO SCALE



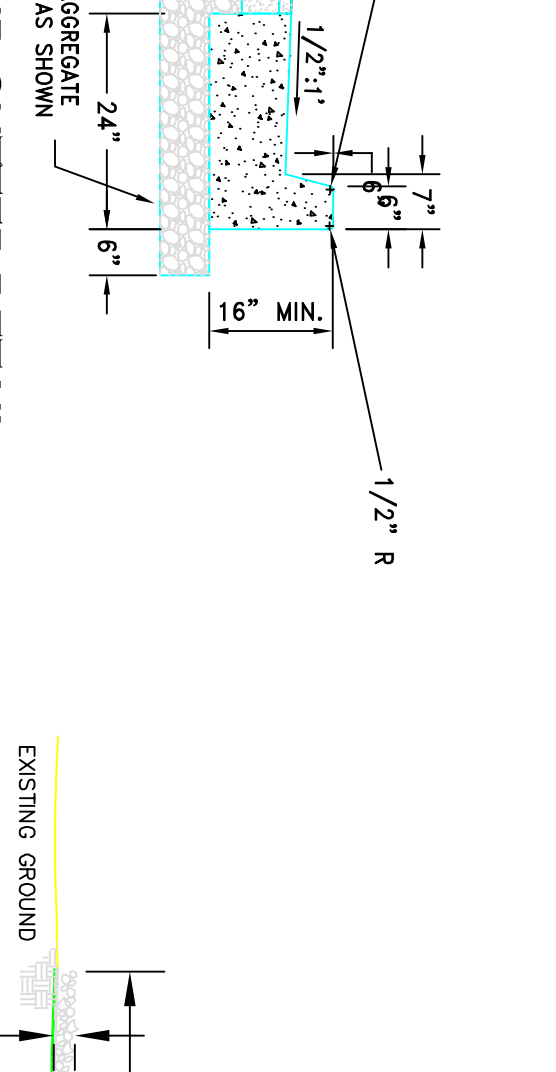
2X2 STORM SEWER CATCH BASIN
 NOT TO SCALE



INLET PROTECTION (SILT BOX)
 NOT TO SCALE



CURB AND GUTTER DETAIL
 NOT TO SCALE



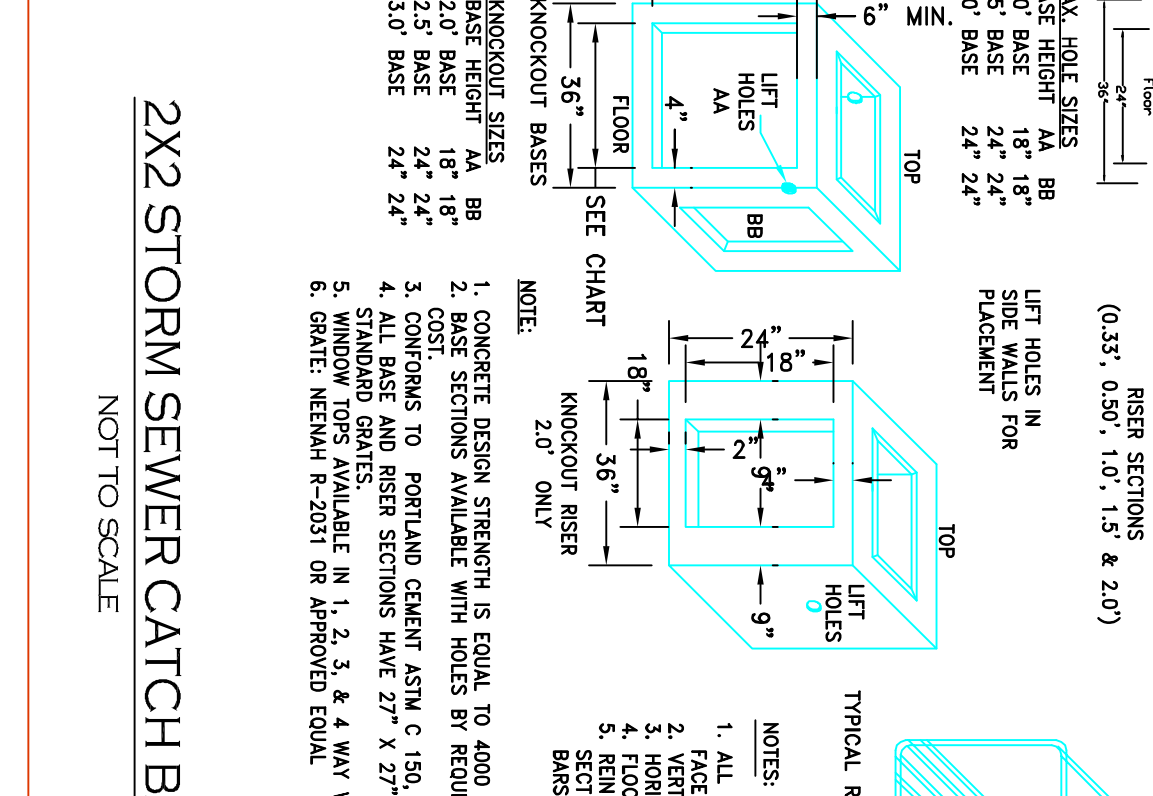
CONSTRUCTION ENTRANCE
 NOT TO SCALE



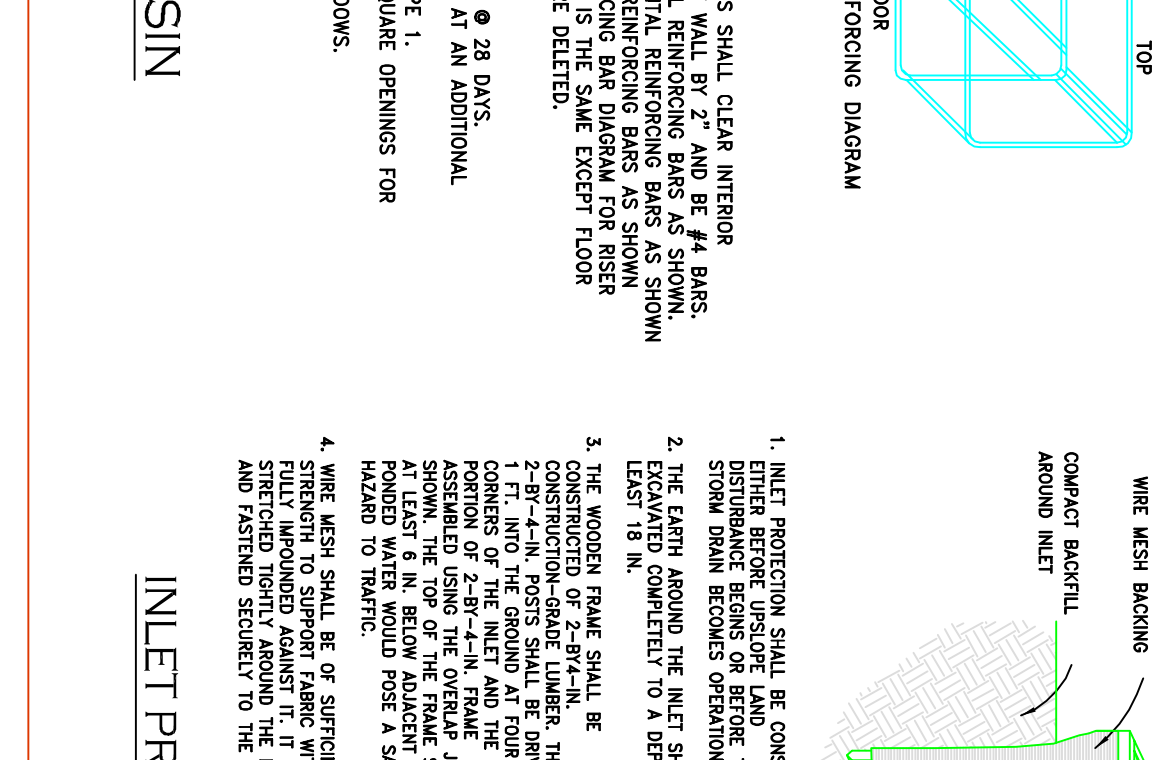
CONSTRUCTION ENTRANCE NOTES

SPECIFICATIONS FOR GEOTEXTILE FABRIC

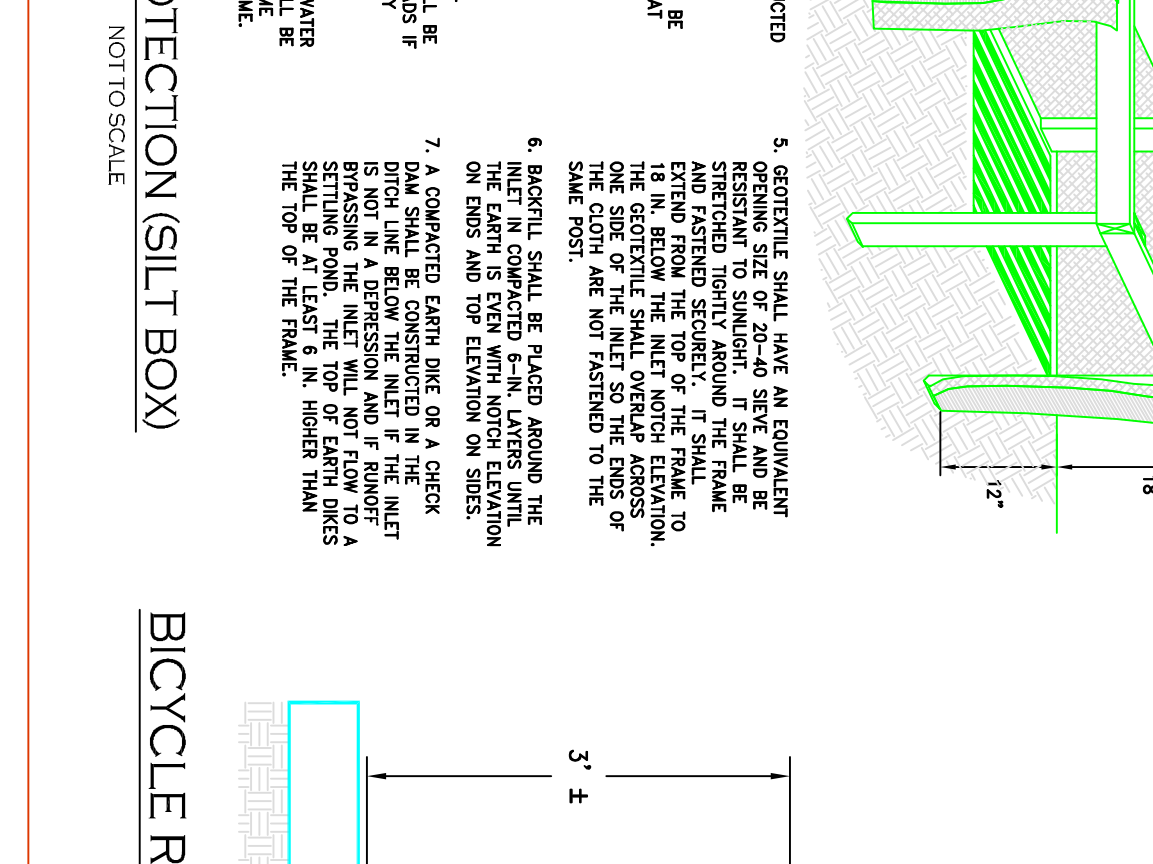
GRADE	TENSILE STRENGTH	ELONGATION AT BREAK
1	220 LBS. (MIN)	15% (MIN)
2	430 LBS. (MIN)	12% (MIN)
3	120 LBS. (MIN)	12% (MIN)
4	430 LBS. (MIN)	12% (MIN)
5	430 LBS. (MIN)	12% (MIN)



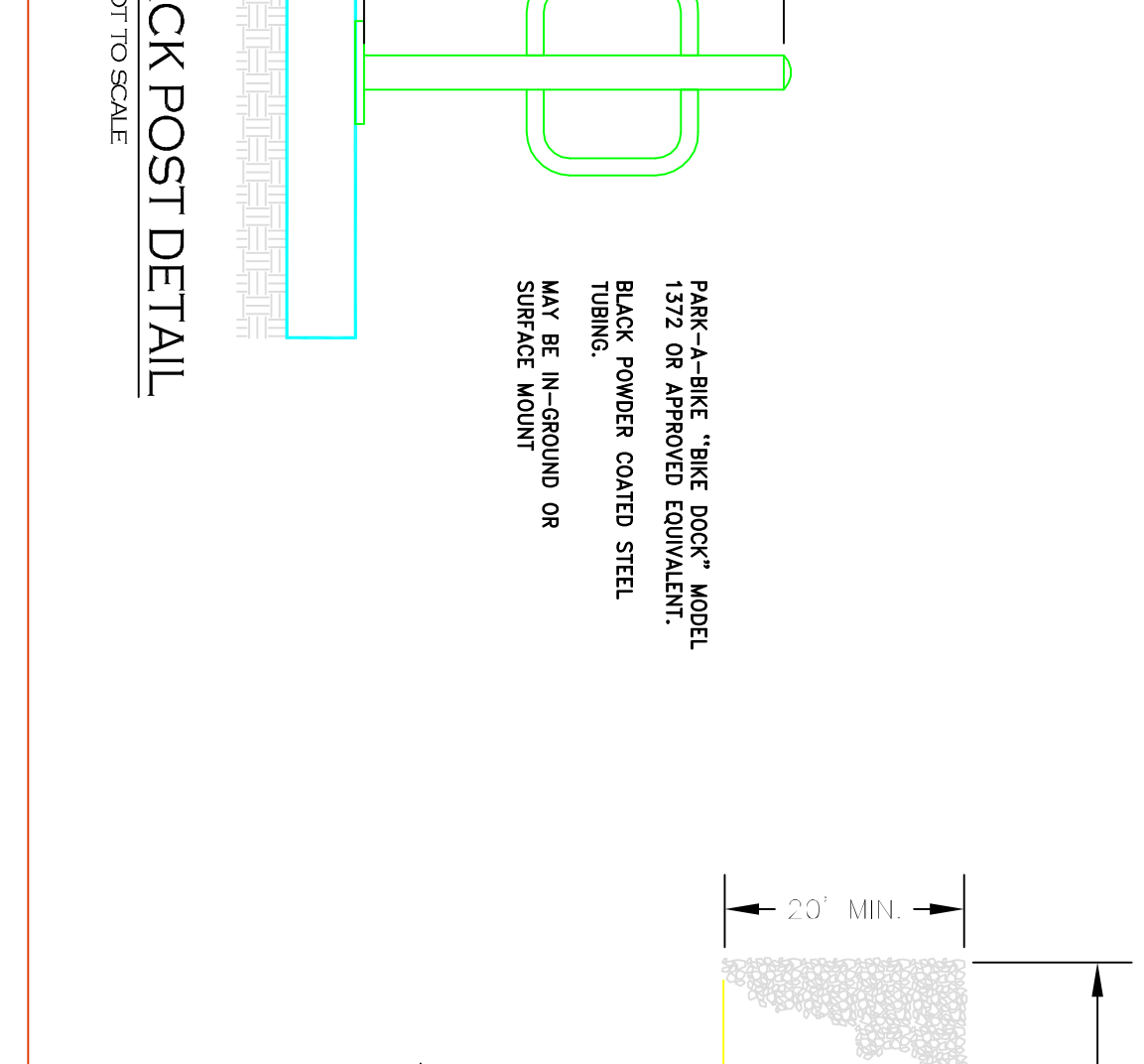
CONSTRUCTION ENTRANCE
 NOT TO SCALE



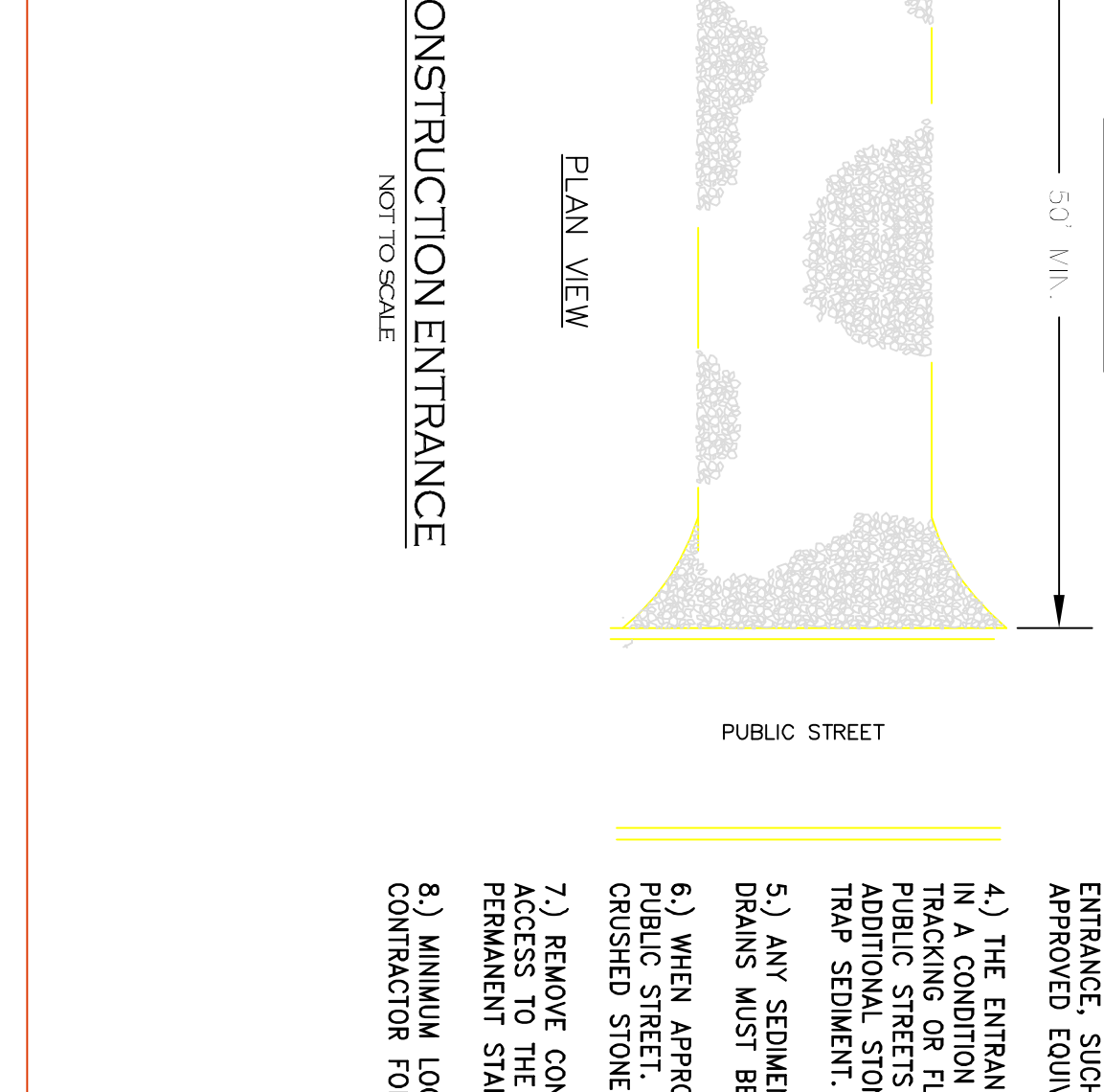
CONSTRUCTION ENTRANCE
 NOT TO SCALE



CONSTRUCTION ENTRANCE
 NOT TO SCALE



CONSTRUCTION ENTRANCE
 NOT TO SCALE



CONSTRUCTION ENTRANCE
 NOT TO SCALE

SPECIFICATIONS FOR GEOTEXTILE FABRIC

GRADE	TENSILE STRENGTH	ELONGATION AT BREAK
1	220 LBS. (MIN)	15% (MIN)
2	430 LBS. (MIN)	12% (MIN)
3	120 LBS. (MIN)	12% (MIN)
4	430 LBS. (MIN)	12% (MIN)
5	430 LBS. (MIN)	12% (MIN)

US BANK
 7739 MONTGOMERY RD.
 SYCAMORE TOWNSHIP, OH
 OWNER
US BANK
 470 N KIRKWOOD RD., KIRKWOOD, MO 63122
 P (314) 835-2312

PROJECT NO.: 120025
 DATE: APRIL 2012
 DRAWN BY: CAV
 CHECKED BY: FLR

DESCRIPTION OF REVISION

FRANK L. ROTHFUSS, JR.
 REGISTERED PROFESSIONAL ENGINEER
 404174

INTEGRATED ENGINEERING

C-501