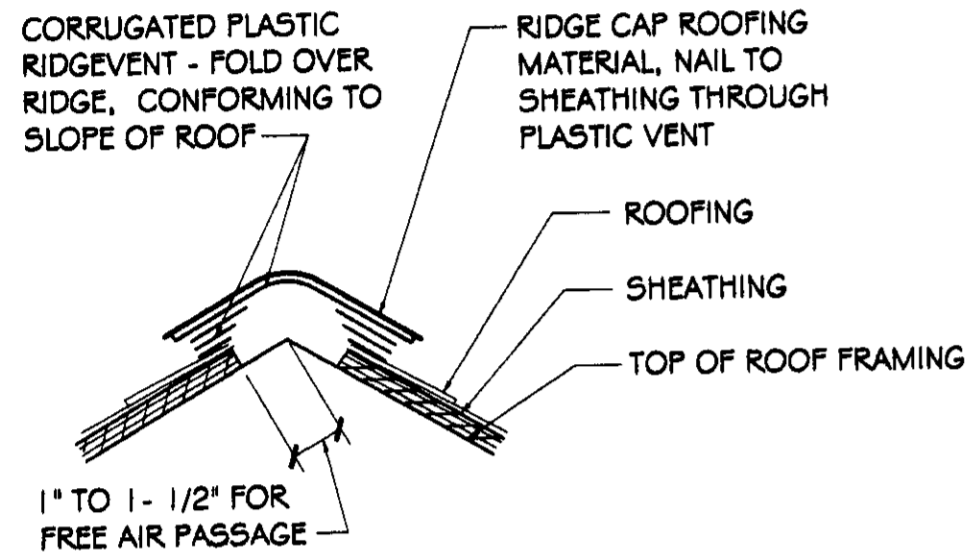
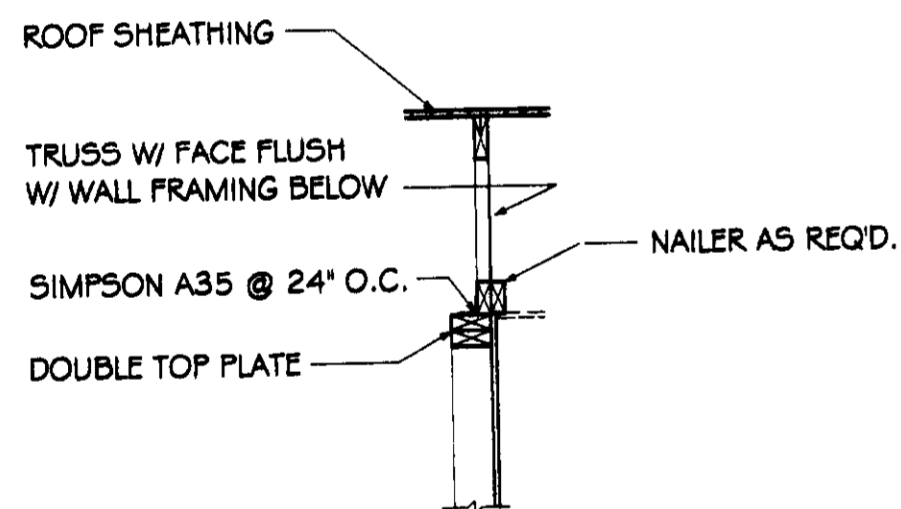


SIMPSON CONNECTORS

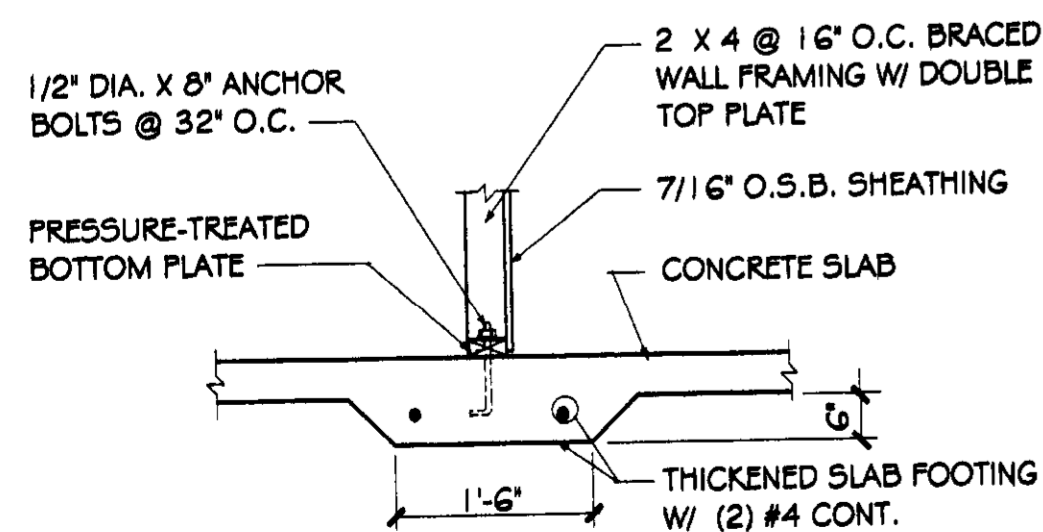


7 RIDGEVENT DETAIL



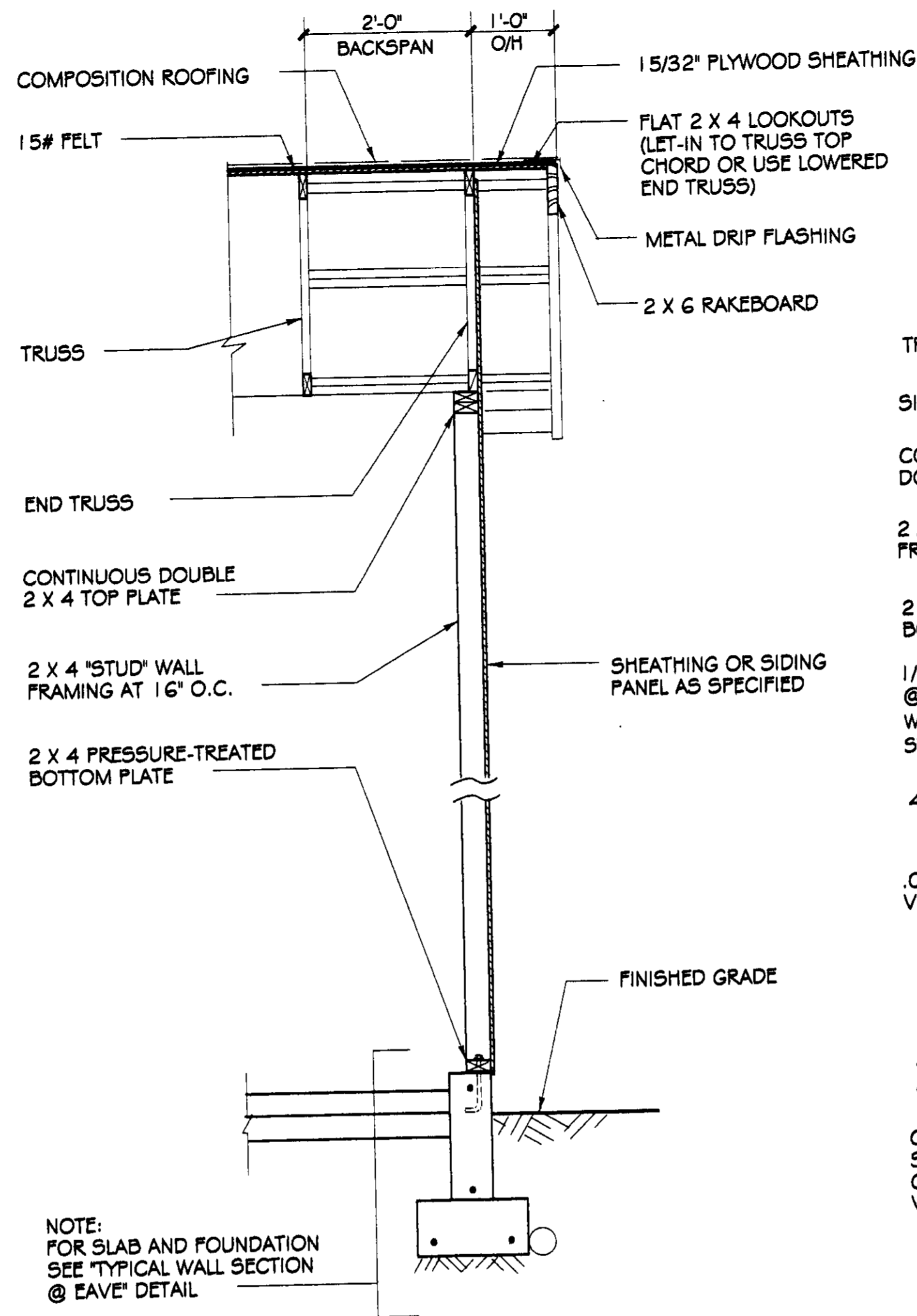
6 TRUSS @ BRACED WALL DETAIL

SCALE: 3/4" = 1'-0"



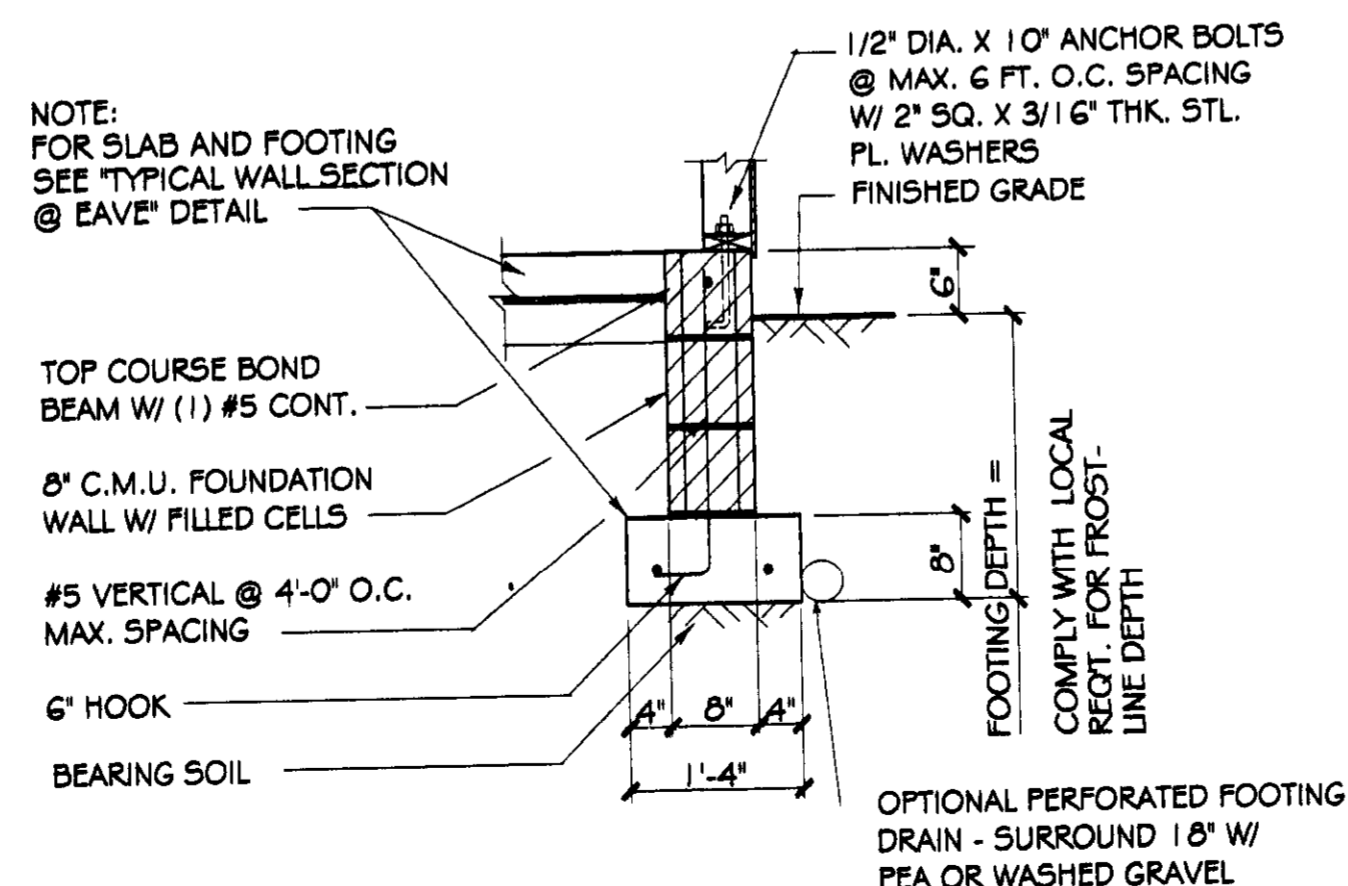
5 THICKENED SLAB FOOTING DETAIL

SCALE: 3/4" = 1'-0"



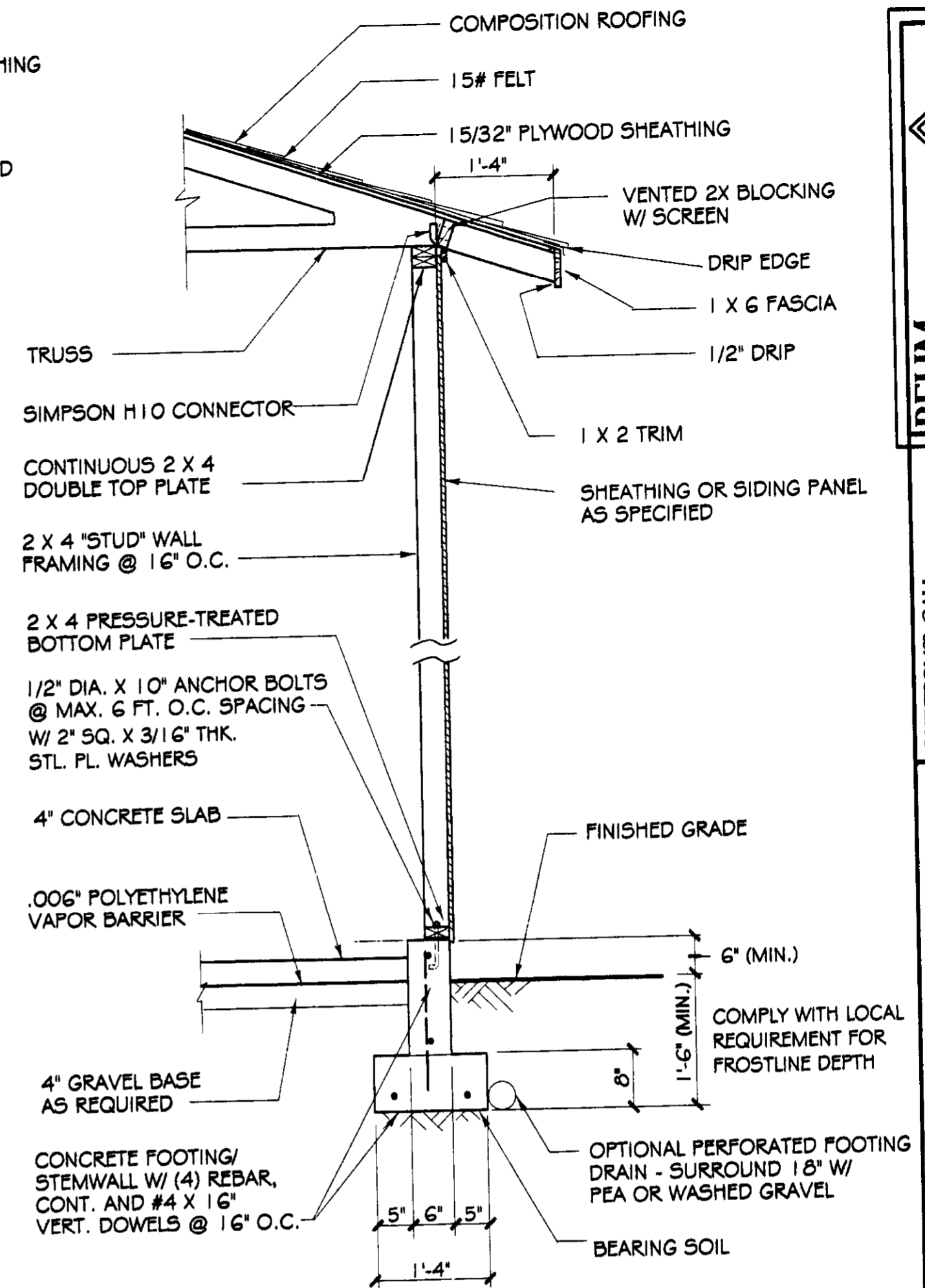
2 TYPICAL WALL SECTION @ GABLE

SCALE: 3/4" = 1'-0"



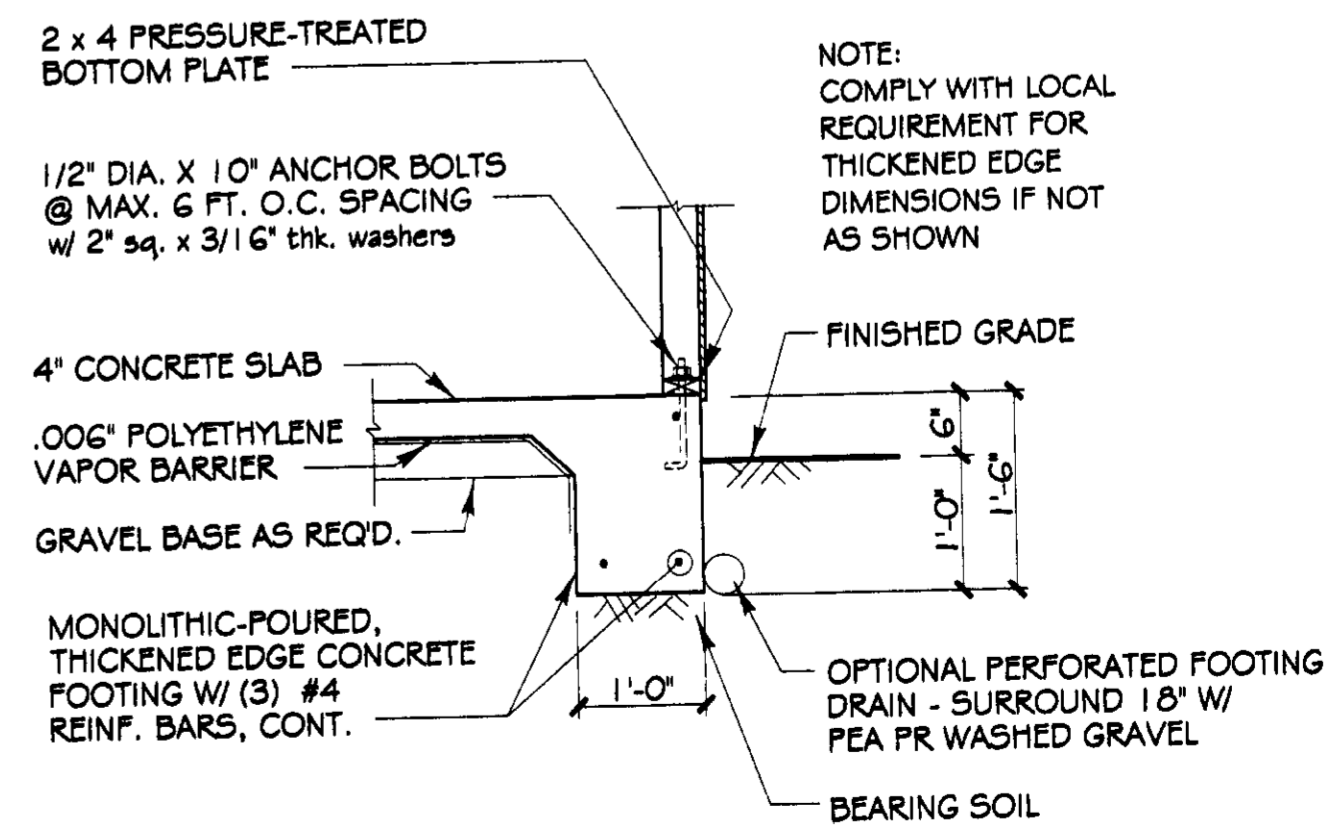
4 BLOCK FOUNDATION WALL DETAIL

SCALE: 3/4" = 1'-0"



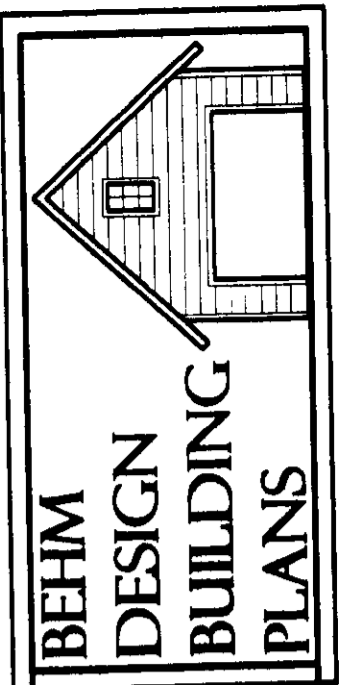
1 TYPICAL WALL SECTION @ EAVE

SCALE: 3/4" = 1'-0"



3 MONOLITHIC FOOTING DETAIL

SCALE: 3/4" = 1'-0"



QUESTIONS? CALL
1-800-210-6776
WWW.BEHMDESIGN.COM

PLAN NO.
1152-3

DESIGN BY:
DATE
10/14/05

SHEET CONTENTS:
TYPICAL WALL SECTIONS
FOUNDATION DETAILS
ROOF DETAILS

SHEET
6
OF **9**