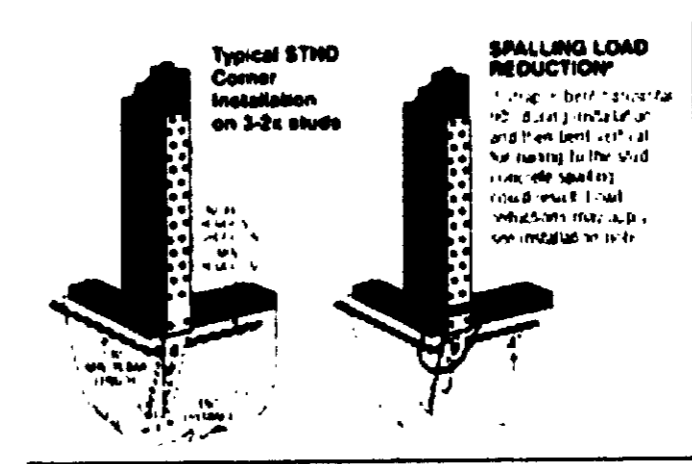
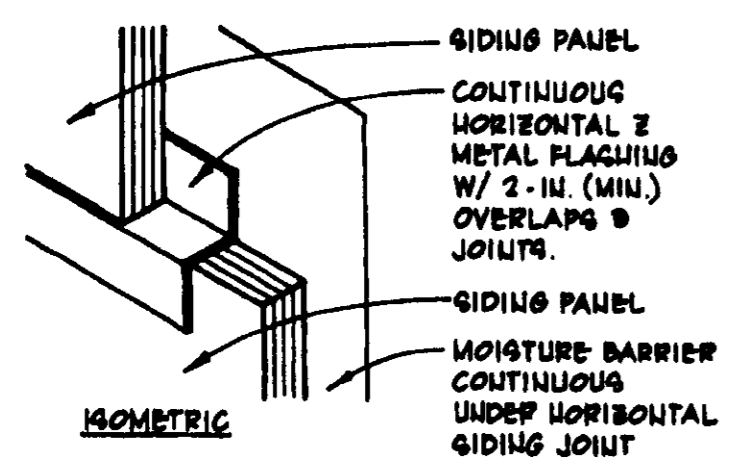


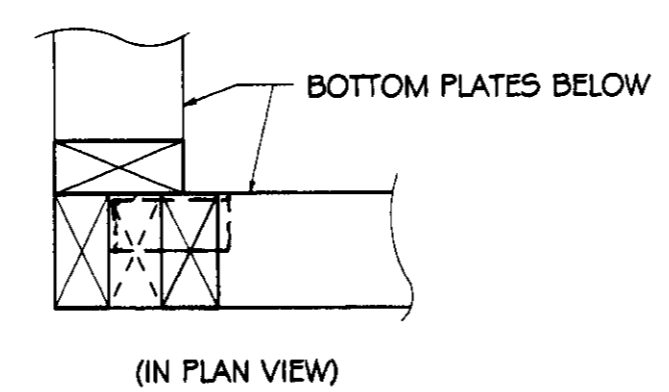
4 ALTERNATE BRACED WALL PANEL DETAIL



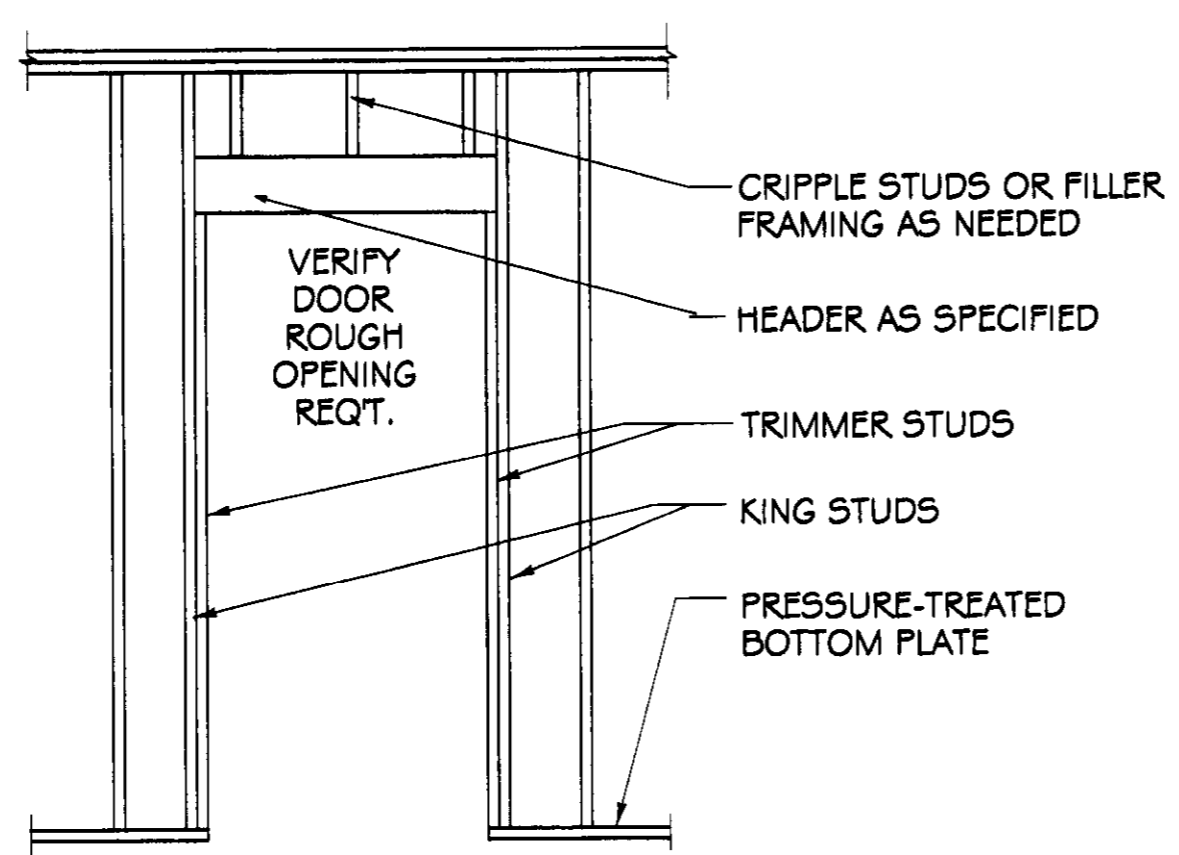
STHD10 HOLDDOWNS



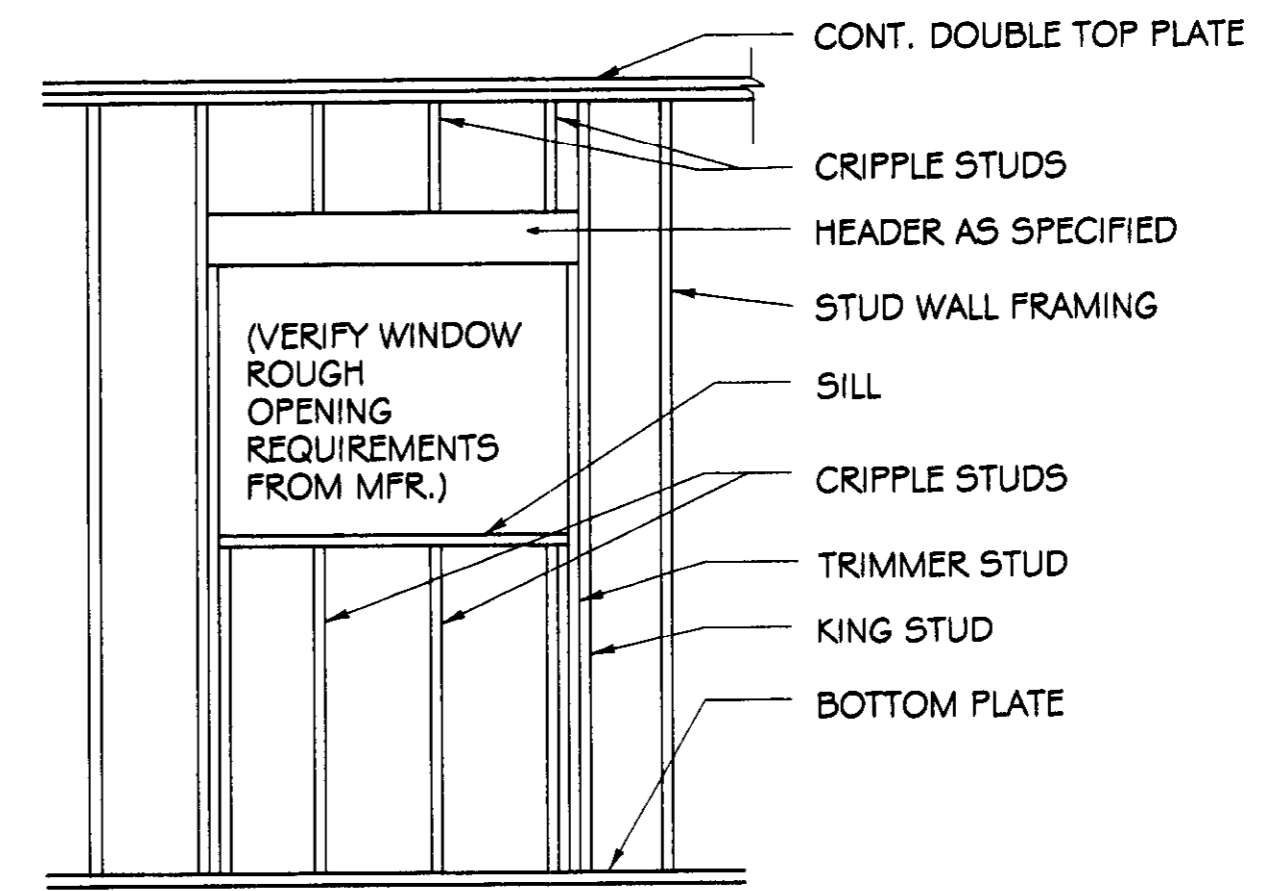
5 FLASHING DETAIL (PANEL SIDING)



STUDS @ CORNER



2 DOOR OPENING DETAIL



1 WINDOW OPENING DETAIL