



BOARD REPORT

TO: VILLAGE PRESIDENT & BOARD OF TRUSTEES
FROM: BRAD MERKEL, DIRECTOR OF PUBLIC WORKS
SUBJECT: RESOLUTION: PURCHASE REPLACEMENT WHEEL LOADER HITCH
AGENDA: April 7, 2026
DATE: March 31, 2026

ISSUE

Should the Village approve the purchase of a replacement wheel loader hitch.

DISCUSSION

The FYE 26 Budget included funds to make repairs to the wheel loader, the replacement hitch is needed as the current hitch is worn out from years of loading materials. Public Works staff will install the new hitch. The total cost for the parts from Altorfer Cat is \$9,668.89.

COST

The cost for the replacement wheel loader hitch is \$9,668.89.

ATTACHMENTS

Altorfer Cat Quote.

RECOMMENDATION

The Village Board approve a Resolution authoring the Director of Public Works to purchase the replacement wheel loader hitch from Altorfer Cat.



VILLAGE OF SUGAR GROVE
KANE COUNTY, ILLINOIS

RESOLUTION NO.: 20260407PW3

**A RESOLUTION AUTHORIZING PURCHASE OF A REPLACEMENT WHEEL LOADER
HITCH FROM ALTORFER CAT.**

WHEREAS, the Village of Sugar Grove Board of Trustees find that it is in the best interest of the Village to engage the services of Altorfer Cat for the purchase of a replacement wheel loader hitch and; execute an agreement;

NOW, THEREFORE, BE IT RESOLVED by the Board of Trustees of the Village of Sugar Grove, Kane County, Illinois, as follows: The Director of Public Works and/or his assigned are hereby authorized to execute a contract for purchase on behalf of the Village and to take such further actions as are necessary to fulfill the terms of said contract with Altorfer Cat for the purchase of a replacement wheel loader hitch.

PASSED AND APPROVED by the President and the Board of Trustees of the Village of Sugar Grove, Kane County, Illinois, on this 7th day of April 2026.

Sue Stillwell, Village President

Tracey R. Conti, Village Clerk

BOARD VOTE:

	Aye	Nay	Absent	Abstain	Recuse
Trustee Heidi Lendi	_____	_____	_____	_____	_____
Trustee Matthew Bonnie	_____	_____	_____	_____	_____
Trustee Sean Michels	_____	_____	_____	_____	_____
Trustee Anthony Speciale	_____	_____	_____	_____	_____
Trustee Nora London	_____	_____	_____	_____	_____
Trustee Michael Roskopf	_____	_____	_____	_____	_____



ADDISON
301. S Mitchell Ct.
Addison, IL 60101
630.530.2200

HAMMOND, IN
6400 Indianapolis Blvd
Hammond, IN 46320
219.922.6600

ROCKFORD
5055 S Main St
Rockford, IL 61102
815.985.8631

OGLESBY
590 Mayer St
Oglesby, IL 61348
815.883.3336

WAUCONDA
700 Patten Dr
Wauconda, IL 60084
847.469.1320

JOLIET
16822 W Laraway Rd
Joliet, IL 60433
815.726.4248

PARTS SALES ORDER

FOR INQUIRIES PLEASE
REFERENCE THIS NUMBER

DOCUMENT NO. 53Q016898

CUSTOMER QUOTE * EXPIRES 04/12/26 * CHARGE*

S O L B T O
VILLAGE OF SUGAR GROVE
10 MUNICIPAL DRIVE
SUGAR GROVE IL 60554

CUSTOMER NO. S
5135270
H
I
P
T
O

STORE
53

FILLED BY
W/C LOC.
W/C PC/S

ORDERED BY TELEPHONE 630 466 4507 CUST. ORDER NO. INSTRUCTIONS DELIVERY LOCATION SHIP VIA

CHRIS LEMKE 630 466 4507

MAKE P/C MODEL SERIAL NO. EQUIP. NO. ARRANGEMENT NO. DATE TIME ENT. BY REFERENCE NO. PAGE

AA B 924G 09SW01750 146-3209 3/12/26 15:04:37 RAC 1

ITEM ---QUANTITY--- PART NUMBER/ DESCRIPTION R GROSS
NO. ORDER SHIP B/O DESCRIPTION TR SOS WEIGHT UNIT PRICE EXTD PRICE
PARTS SALES PERSON: RICHARD ALAN CHRISTMANN

ITEM NO.	QUANTITY	PART NUMBER/DESCRIPTION	TR	SOS	WEIGHT	UNIT PRICE	EXTD PRICE
1	2	234-1949 KIT-SEAL-H.C	*	QN 000	.4	157.51	315.02
2	2	4V-8639 BEARING		QN 000	1.5	82.11	164.22
3	2	7P-3466 BEARING		QN 000	1.9	98.51	197.02
4	2	7K-9208 SEAL		QN 000	.1	21.63	43.26
5	4	7K-9209 SEAL		000	.1	18.37	73.48
6	1	235-7401 COUPLER AS.		QN 000	419.3	7549.11	7549.11
7	2	132-2419 PIN AS		QN 000	16.3	412.84	825.68
8	1	132-2427 PIN A		QN 000	21.7	501.10	501.10
TOTAL GROSS WEIGHT OF SHIPPED ITEMS						481.8	

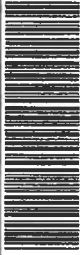
*** PLEASE TAKE NOTICE ITEMS WITH AN ASTERISK ARE NON RETURNABLE ***

CONTINUED

Thank You!

SEE REVERSE SIDE OF CUSTOMER
PACKING LIST FOR PARTS RETURN
AND CORE RETURN POLICIES

RECEIVED BY: SIGNATURE
PRINTED NAME



7802C0PY

ALTORFER



ADDISON
301. S Mitchell Ct.
Addison, IL 60101
630.530.2200

HAMMOND, IN
6400 Indianapolis Blvd
Hammond, IN 46320
219.932.6600/773.721.6977

ROCKFORD
5055 S Main St
Rockford, IL 61102
815.965.8631

OGLESBY
590 Mayer St
Oglesby, IL 61348
815.883.3336

WAUCONDA
700 Patten Dr
Wauconda, IL 60084
847.469.1320

JOLIET
16822 W Laraway Rd
Joliet, IL 60433
815.726.4248

PARTS SALES ORDER

FOR INQUIRIES PLEASE
REFERENCE THIS NUMBER
DOCUMENT NO. 530016898

CUSTOMER QUOTE

VILLAGE OF SUGAR GROVE
10 MUNICIPAL DRIVE
SUGAR GROVE IL 60554

* EXPIRES 04/12/26

CUSTOMER NO. S
5135270 H
I
P
STORE
53 T
O

FILLED BY
W/C LOC.
W/C PC/S

INSTRUCTIONS
DELIVERY LOCATION
SHIP VIA

ORDERED BY	TELEPHONE	CUST. ORDER NO.	INSTRUCTIONS	DELIVERY LOCATION	SHIP VIA		
CHRIS LEMKE	630 466 4507						
MAKE P/C MODEL	SERIAL NO.	EQUIP. NO.	ARRANGEMENT NO.	DATE	TIME ENT. BY	REFERENCE NO.	PAGE
AA B 924G	09SW01750		146-3209	3/12/26	15:04:37	RAC	2

ITEM NO.	QUANTITY	PART NUMBER/DESCRIPTION	TR	SOS	WEIGHT	UNIT PRICE	EXTD PRICE

GROSS
NET
PARTS SALES PERSON: RICHARD ALAN CHRISTMANN

TAX EXEMPT LIC # E9996 0672 04
USD SELL TOTAL 9668.89

Note! That's a bare coupler. That doesn't include the cylinder lines.

Thank You!

SEE REVERSE SIDE OF CUSTOMER
PACKING LIST FOR PARTS RETURN
AND CORE RETURN POLICIES

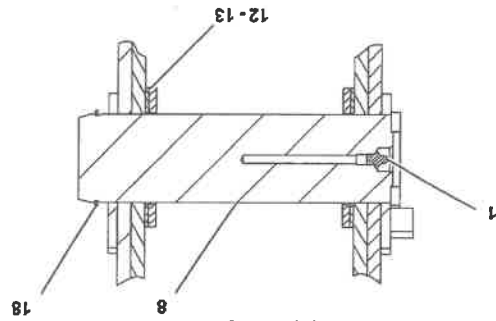
RECEIVED BY: SIGNATURE
PRINTED NAME



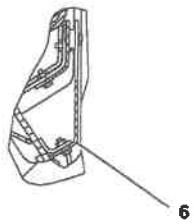
ChrTS
 (630) 391-7237
 Clemente@SystemGroup.com
 - Arm Bushing
 - Quick coupler
 - 2 Main Lift cyl pins

Village of Sugar Grove

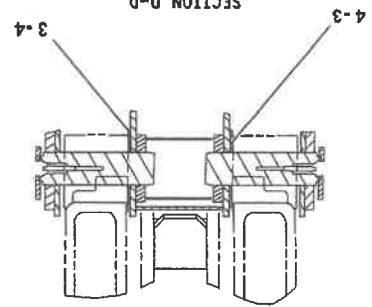
SECTION C-C



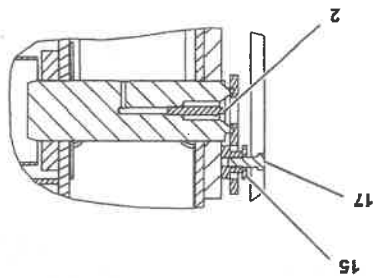
VIEW OF AREA E



SECTION D-D



SECTION B-B



SECTION A-A

