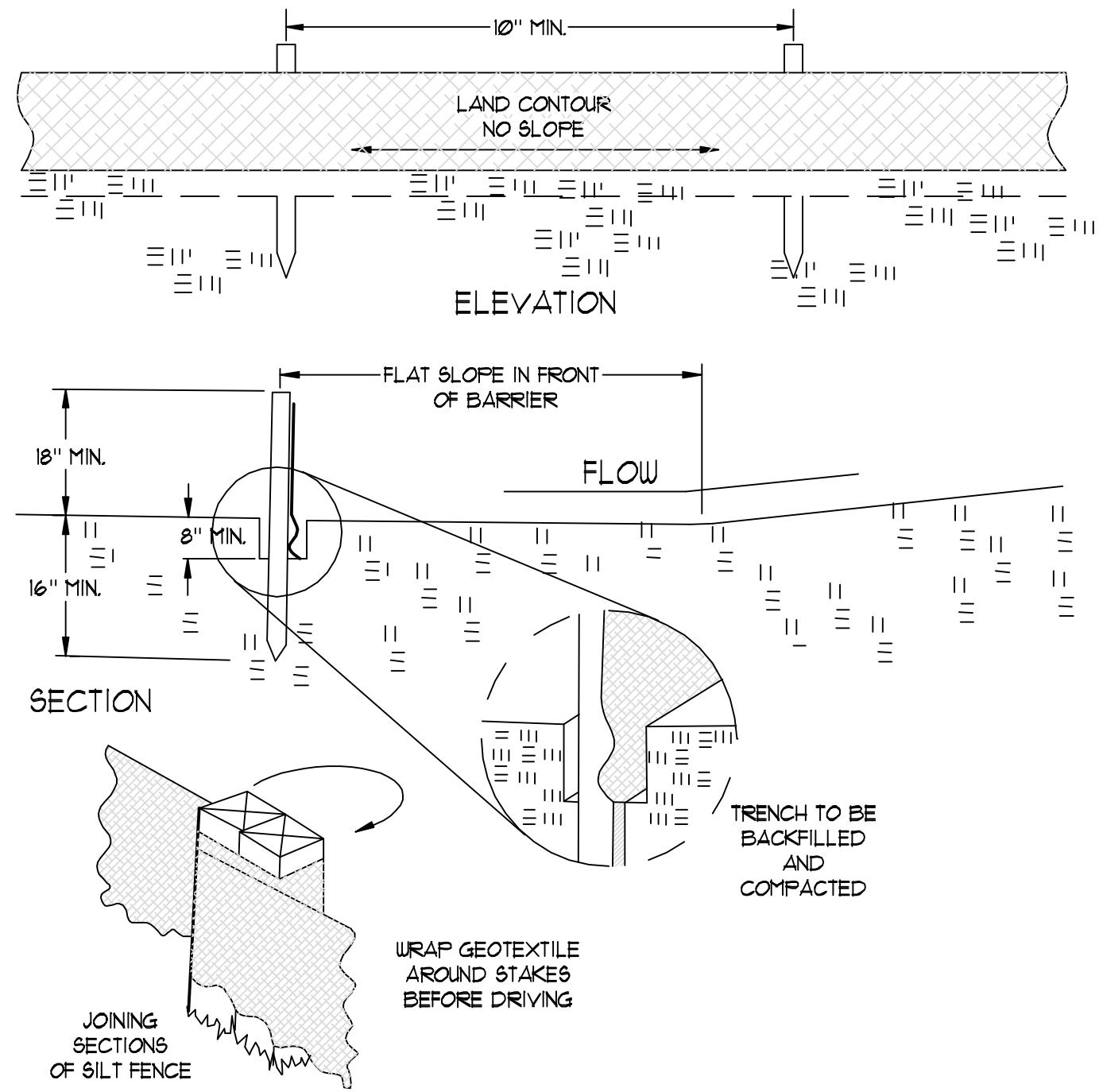


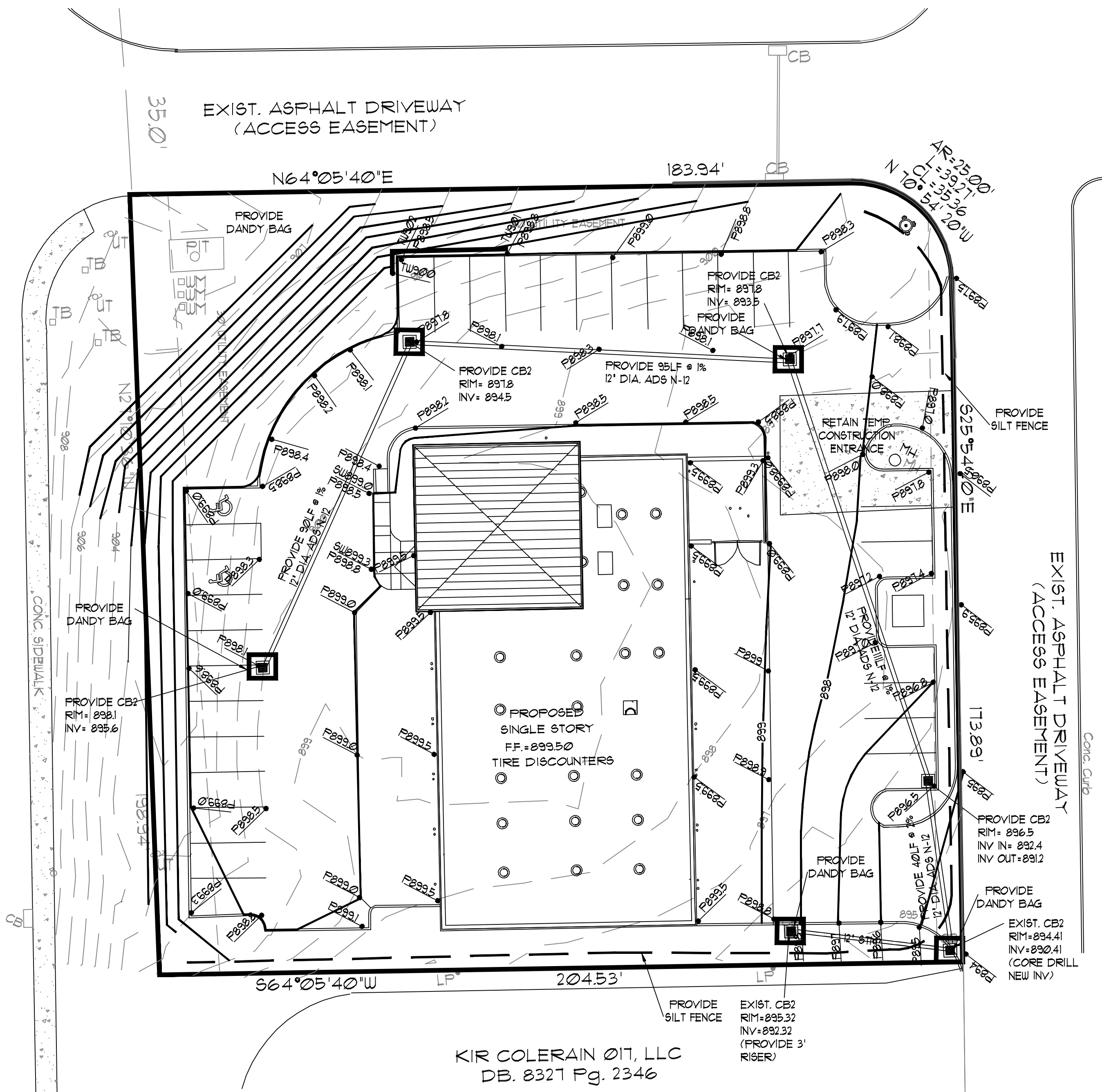
SPECIFICATIONS FOR SILT FENCE



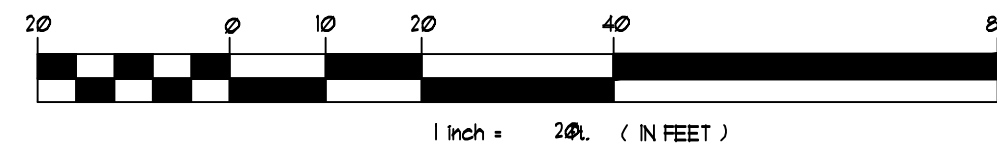
TEMPORARY SEEDING			
SPECIES	SEEDING RATE		SEEDING DATES
	LB./AC.	LB./1000 SQ.FT.	
OATS	4 BUSHEL	3	MARCH 1 TO AUGUST 15
TALL FESCUE	40	1	
ANNUAL RYEGRASS	40	1	
PERENNIAL RYEGRASS	40	1	
TALL FESCUE	40	1	
ANNUAL RYEGRASS	40	1	
RYE	7 BUSHEL	3	AUGUST 16 TO NOVEMBER 1
TALL FESCUE	40	1	
ANNUAL RYEGRASS	40	1	
WHEAT	7 BUSHEL	3	
TALL FESCUE	40	1	
ANNUAL RYEGRASS	40	1	
PERENNIAL RYEGRASS	40	1	
TALL FESCUE	40	1	
ANNUAL RYEGRASS	40	1	
USE MULCH ONLY, SOODING PRACTICES		NOVEMBER 1 TO SPRING SEEDING	
OR DORMANT SEEDING			
NOTE: OTHER			

PERMANENT SEEDING			
SEED MIX	SEEDING RATE		NOTES
	LB./AC.	LB./1000 SQ.FT.	
GENERAL USE			
CREEPING RED FESCUE	20-40	12-1	MARCH 1 TO AUGUST 15
DOMESTIC RYEGRASS	10-20	1/4-1/2	
KENTUCKY BLUEGRASS	10-20	1/4-1/2	
TALL FESCUE	40	1	
DIWARF FESCUE	40	1	
STEEP BANKS OR CUT SLOPES			
TALL FESCUE	20-40	1	
GRASS VETCH TALL FESCUE	10-20	1/4-1/2	DO NOT SEED LATER THAN AUGUST
FLAT PEA TALL FESCUE	20	1/2	DO NOT SEED LATER THAN AUGUST
ROAD DITCHES AND SWALES			
TALL FESCUE	40	1	
DIWARF FESCUE	50	2 1/2	
KENTUCKY BLUEGRASS	5		
LAWNS			
KENTUCKY BLUEGRASS	60	1 1/2	
PERENNIAL RYEGRASS	60	1 1/2	
KENTUCKY BLUEGRASS	60	1 1/2	FOR SHADED AREAS
CREEPING RED FESCUE	60	1 1/2	FOR SHADED AREAS
NOTE: OTHER APPROVED SEED SPECIES MAY BE SUBSTITUTED			

CONSTRUCTION DETAIL  
ADDITIONAL DETAILS SHOWN ON PAGES C1, C2,  
C3, C4, C5



GRADING PLAN



Private Storm Drainage Notes

The Board of County Commissioners of Hamilton County, Ohio has adopted flood damage prevention regulations. All proposed storm sewers and surface or other drainage facilities are to be private and maintained by the owner. The Developer/Owner is to construct curbs, catch basins, downspouts, piping and connections etc. as required to convey the roof and paved surface drainage to the new detention/retention basin. All internal drainage systems are to be designed for a ten year storm and given protection for a fifty year storm. For storm drainage systems that out let into detention facilities a hydraulic gradient study may be required. All ground surface areas that have been exposed or left bare as a result of construction and are to final grade and are to remain so shall be seeded and mulched as soon as practical in accordance with State of Ohio Specifications Item 659. All new storm sewer, surface drainage construction, storm water detention facility construction and construction of temporary erosion control measures are to be under the inspection and supervision of the Public Works Department. Phone 513-946-4750 at least two days in advance of construction. If storm water detention/retention facility construction is performed without calling for construction inspection and supervision by the Hamilton County Department of Public Works, The Public Works Department will invoice for the inspection/supervision time prior to acceptance based on the Hamilton County Department of Public Works estimate of time that would have been expended by the Public Works Inspector. Certification of storage volume and an 'As-Built' survey of the detention/retention facility by a Registered Professional Surveyor in the State of Ohio must be submitted for the proposed detention/retention facility prior to the recording of the Private Storm Drainage Limits Record Plat.

DETENTION NOTES:

SITE DRAINS TO EXISTING REGIONAL DETENTION POND. NO ON SITE DETENTION TO BE PROVIDED.

EROSION CONTROL NOTES

1. FORTY-EIGHT (48) HOURS PRIOR TO ANY EARTH WORK, THE CONTRACTOR SHALL NOTIFY THE ENGINEERING DEPARTMENT.
2. EROSION AND SEDIMENTATION CONTROL MEASURES ARE TO BE PLACED PRIOR TO OR AS THE FIRST STEP IN CONSTRUCTION. SEDIMENT CONTROL PRACTICES SHALL BE APPLIED AS A PERIMETER DEFENSE AGAINST ANY TRANSPORTING OF SILT OFF THE SITE. ALL RUNOFF RESULTING FROM CONSTRUCTION OPERATIONS MUST BE FILTERED BY APPROVED METHODS PRIOR TO DISCHARGING TO THE STORM SYSTEM.
3. ALL SEDIMENT AND EROSION CONTROL MEASURES SHALL BE INSPECTED BY THE CONTRACTOR AND REPAIRED DAILY AND AFTER EVERY 1/2" OF RAIN. RECORDS OF SUCH INSPECTIONS SHALL BE KEPT AT THE JOB SITE AND BE AVAILABLE FOR IMMEDIATE REVIEW UPON REQUEST.
4. IN ADDITION TO THE EROSION CONTROL MEASURES SHOWN ON THE PLANS ARE MINIMUM CONTROLS. ADDITIONAL MEASURES MAY BE REQUIRED BY THE CITY ENGINEER.
5. ALL GROUND SURFACE AREAS THAT HAVE BEEN EXPOSED OR LEFT BARE AS A RESULT OF CONSTRUCTION AND ARE TO FINAL GRADE AND ARE TO REMAIN SO SHALL BE SEEDING AND MULCHED AS SOON AS PRACTICABLE DISTURBED AREAS THAT LIE DORMANT FOR 7 DAYS OR MORE SHALL BE SEEDING OR PROTECTED IMMEDIATELY. OTHER SEDIMENT CONTROLS THAT ARE INSTALLED SHALL BE MAINTAINED UNTIL VEGETATIVE GROWTH HAS BEEN ESTABLISHED. THE CONTRACTOR SHALL BE RESPONSIBLE FOR THE REMOVAL OF ALL TEMPORARY SEDIMENT DEVICES AT THE CONCLUSION OF CONSTRUCTION BUT NOT BEFORE GROWTH OF PERMANENT GROUND COVER.
6. UNTIL IMPROVEMENTS IN THE DEVELOPMENT HAVE BEEN COMPLETED, THE CONTRACTOR SHALL TAKE SUCH MEASURES AS ARE NECESSARY TO PREVENT EROSION OF GRADED SURFACES ONTO ROADWAYS, INTO DRAINAGE COURSES, STORM SEWERS, OR ONTO ADJOINING LAND. FOR ANY EARTH DISTURBANCE OR ANY DEVELOPMENT APPROVED BY THE DEPARTMENT OF WATER, THE CONTRACTOR SHALL CLEAN ANY MUD OR DEBRIS DEPOSITED ON ROADWAYS, DRAINAGE COURSES, OR ADJOINING PROPERTY WHEN THE MUD AND DEBRIS ORIGINATES FROM THE EARTH MOVING OPERATIONS.
7. ALL MUD/DIRT TRACKED ONTO THE STREET OR SEDIMENT SETTLED ALONG THE CURB/GUTTER LINE SHALL BE REMOVED IMMEDIATELY.
8. TEMPORARY SOIL STOCK PILES SHALL BE PROTECTED FROM EROSION WITH SILT FENCE OR OTHER MEANS.
9. DISCARDED BUILDING MATERIALS, CONCRETE TRUCK WASHOUTS, CHEMICALS, LITTER AND SANITARY WASTE SHALL BE REMOVED FROM THE SITE DAILY.

2 WORKING DAYS  
BEFORE YOU DIG  
UTILITIES PROTECTION SERVICE

STATE OF OHIO  
REGISTERED PROFESSIONAL ENGINEER  
STEVEN LEESMAN  
60685

TIRE DISCOUNTERS  
10774 COLERAIN AVE  
HAMILTON COUNTY, OHIO

LEESMAN ENGINEERING & ASSOC.  
ENGINEERING, SURVEYING, PLANNING  
2720 TOPIC HILLS, CINCINNATI, OHIO 45248 513/417-0460

SJL engineers

DRAWING TITLE  
EROSION & GRADING PLAN

PROJ. NO. DATE  
TIRE DISC. 1/1/12  
DRAWN CHECKED  
TMD SJL

DRAWING NO.  
C3

NO. DESCRIPTION BY DATE  
REVISIONS AND/OR ISSUES