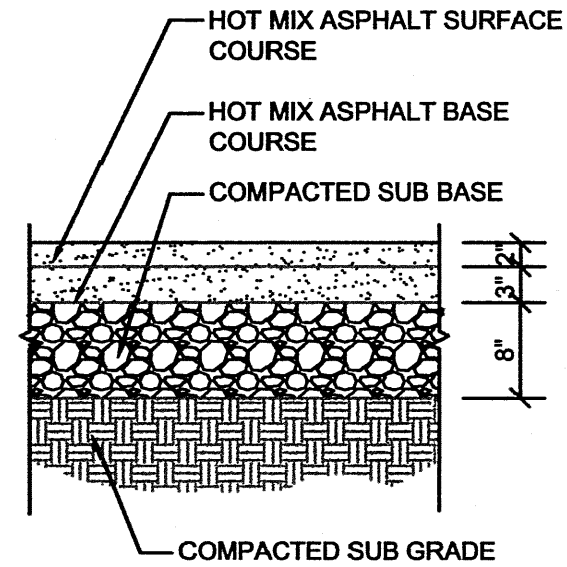
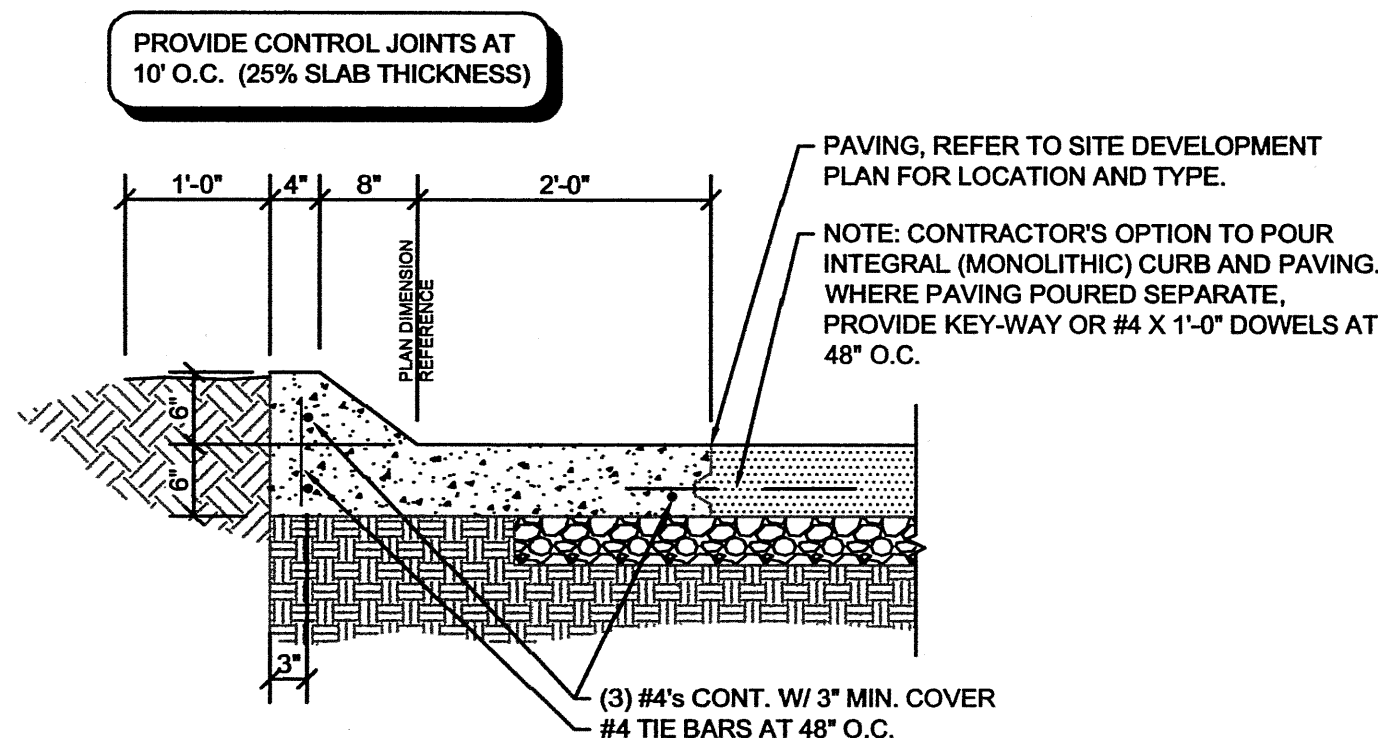


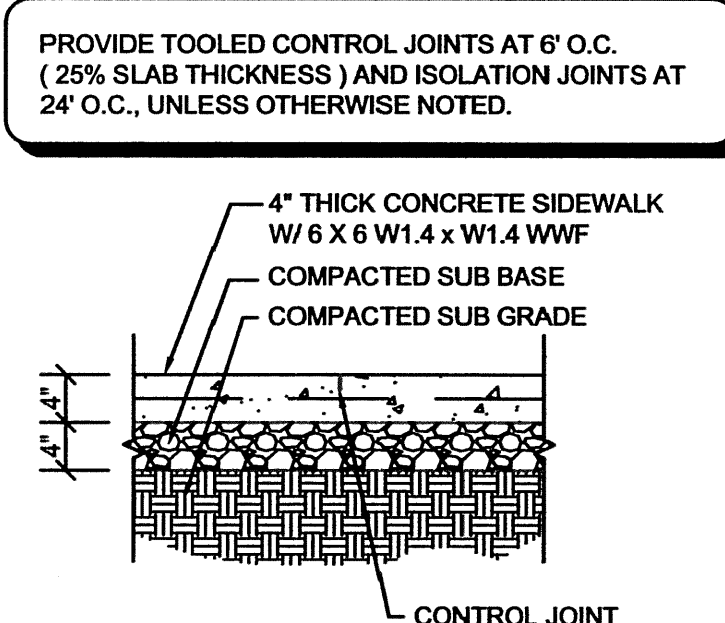
1 CONCRETE PAVING SECTION
C3 SCALE: 3/4" = 1'-0"



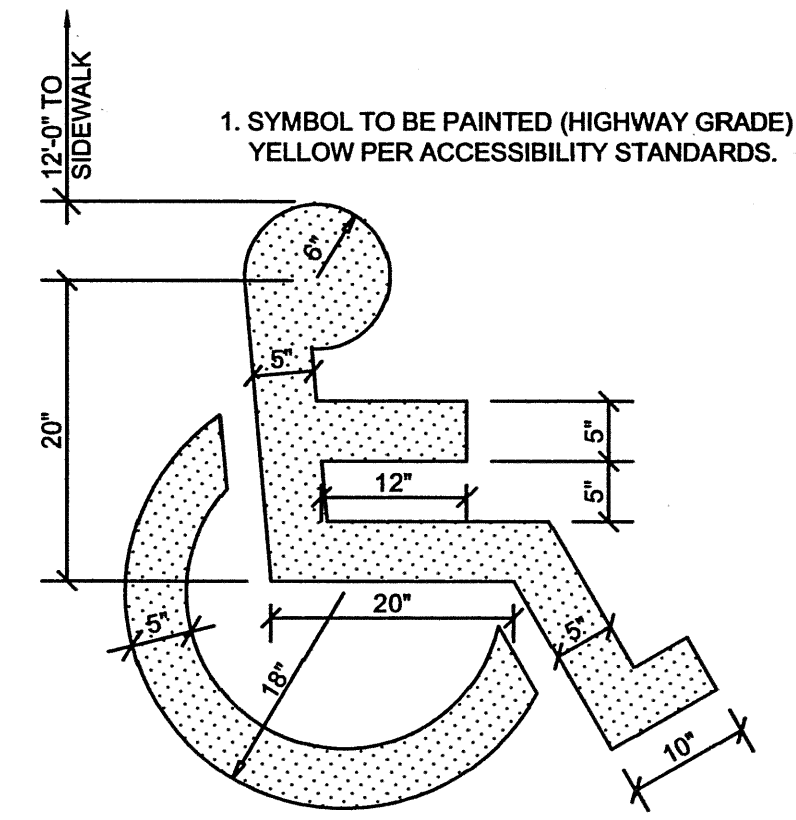
2 ASPHALT PAVING SECTION
C3 SCALE: 3/4" = 1'-0"



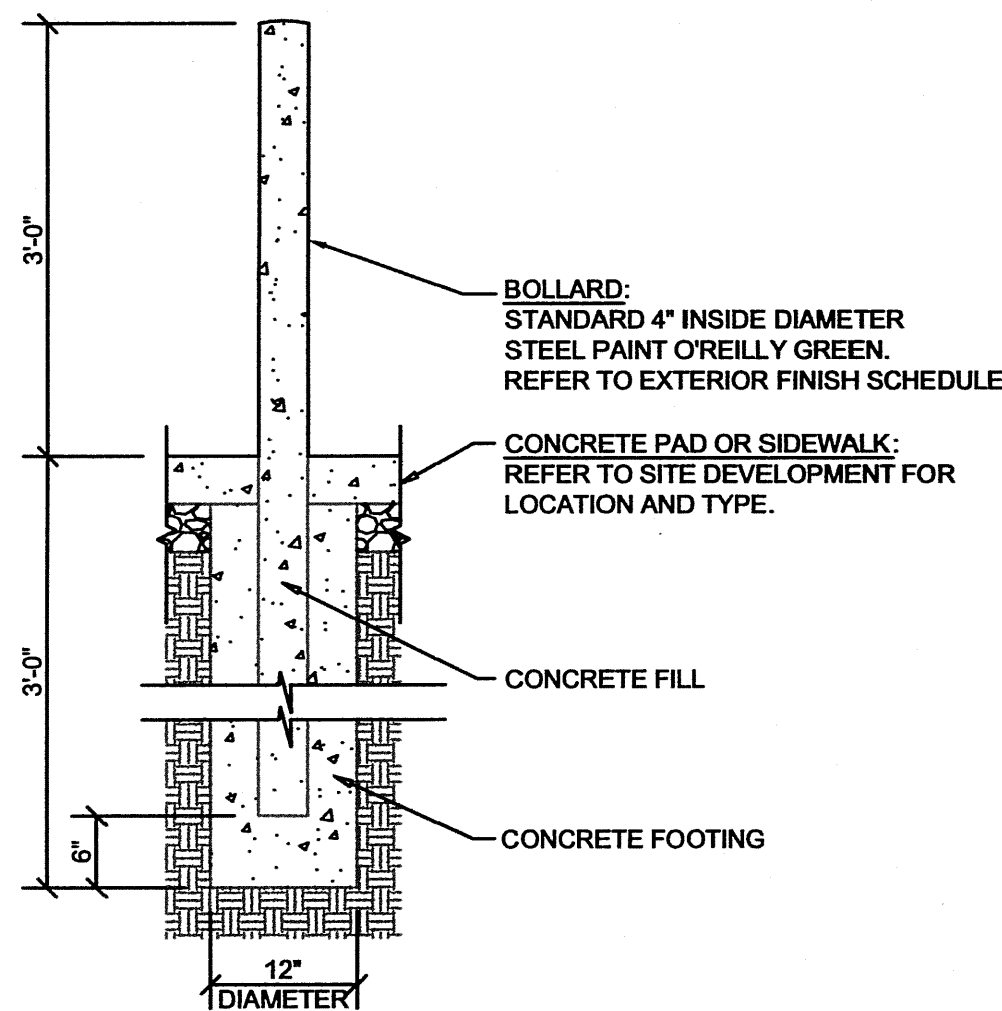
3 CONCRETE CURB SECTION
C3 SCALE: 3/4" = 1'-0"



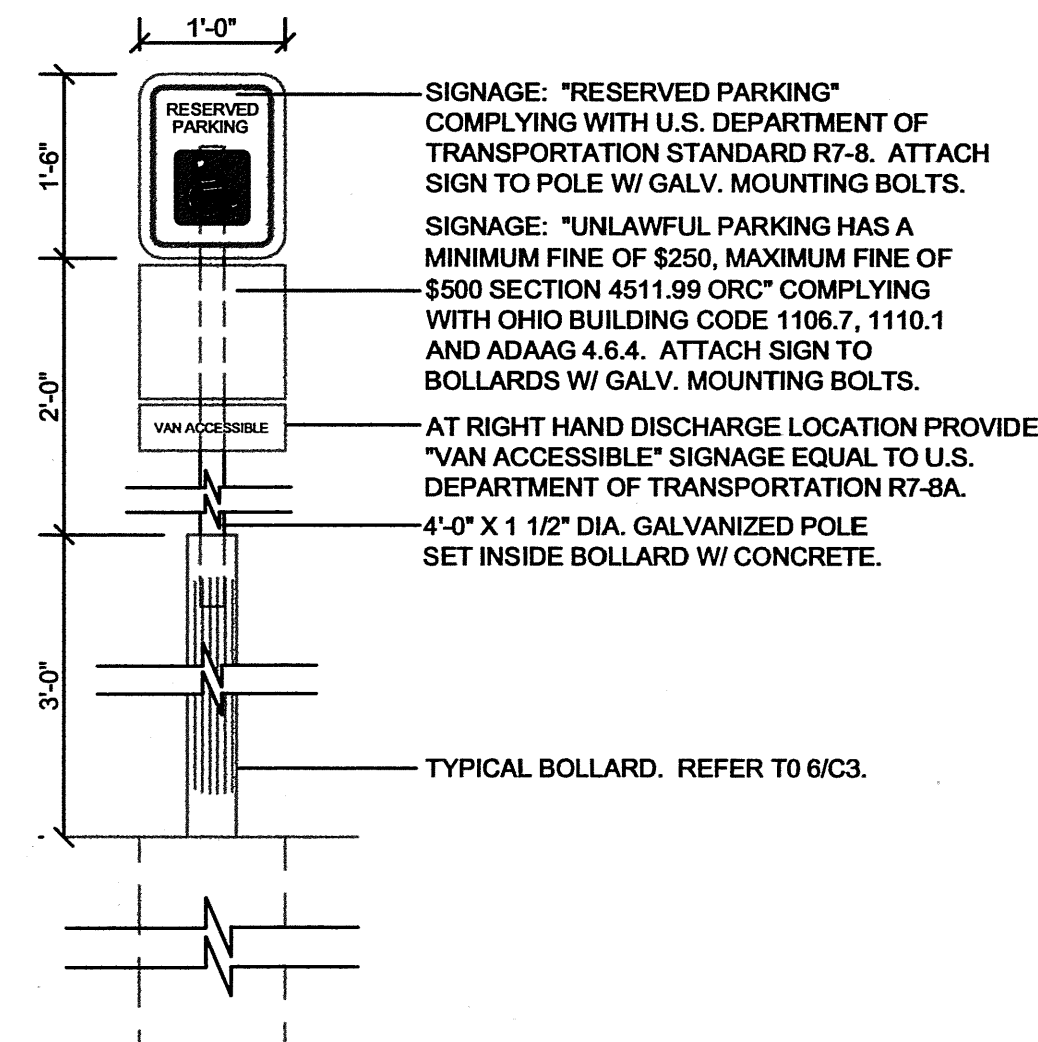
4 CONCRETE SIDEWALK SECTION
C3 SCALE: 3/4" = 1'-0"



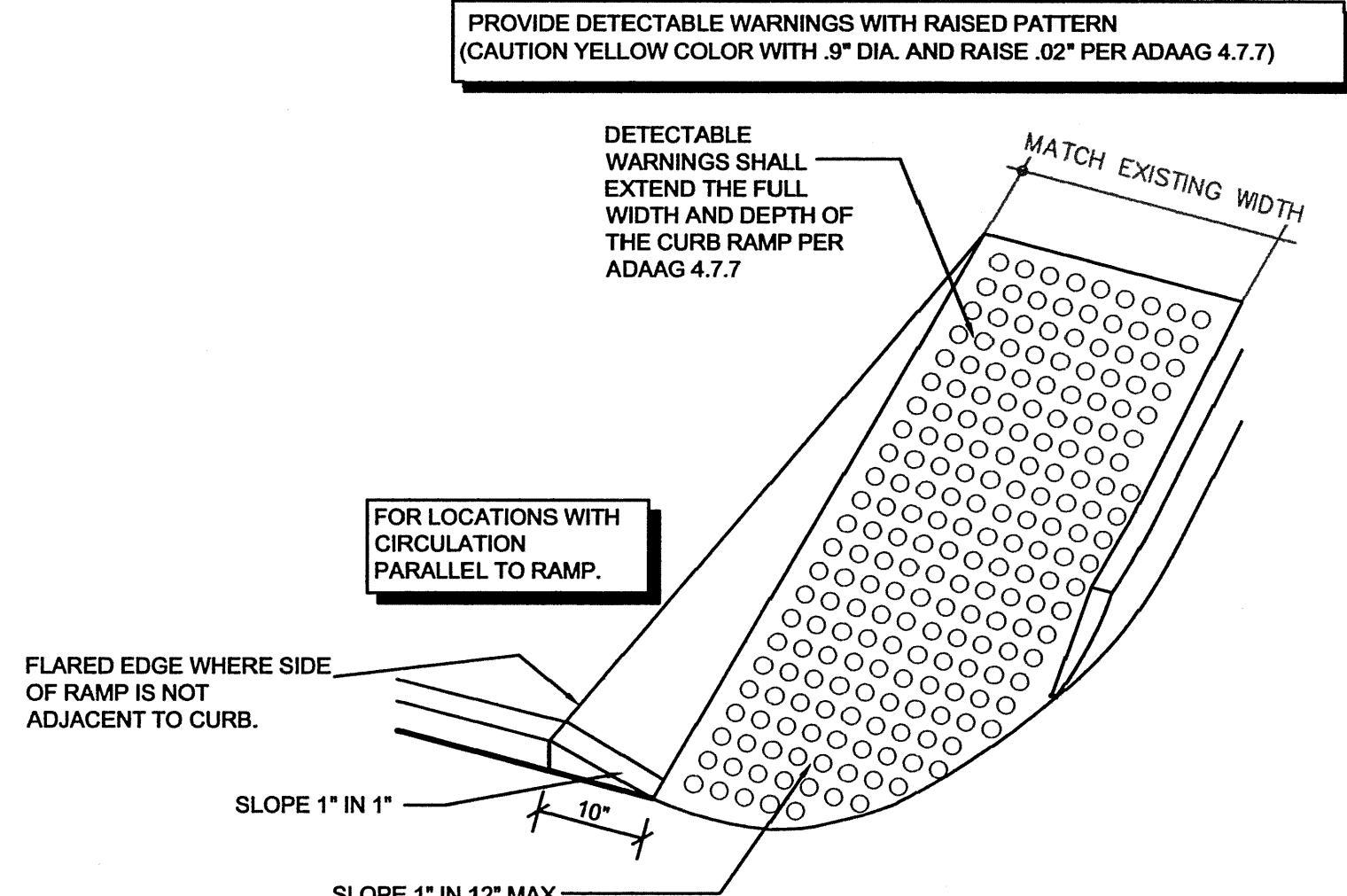
5 HANDICAP PARKING SYMBOL
C3 SCALE: 3/4" = 1'-0"



6 STEEL BOLLARD SECTION
C3 SCALE: 3/4" = 1'-0"

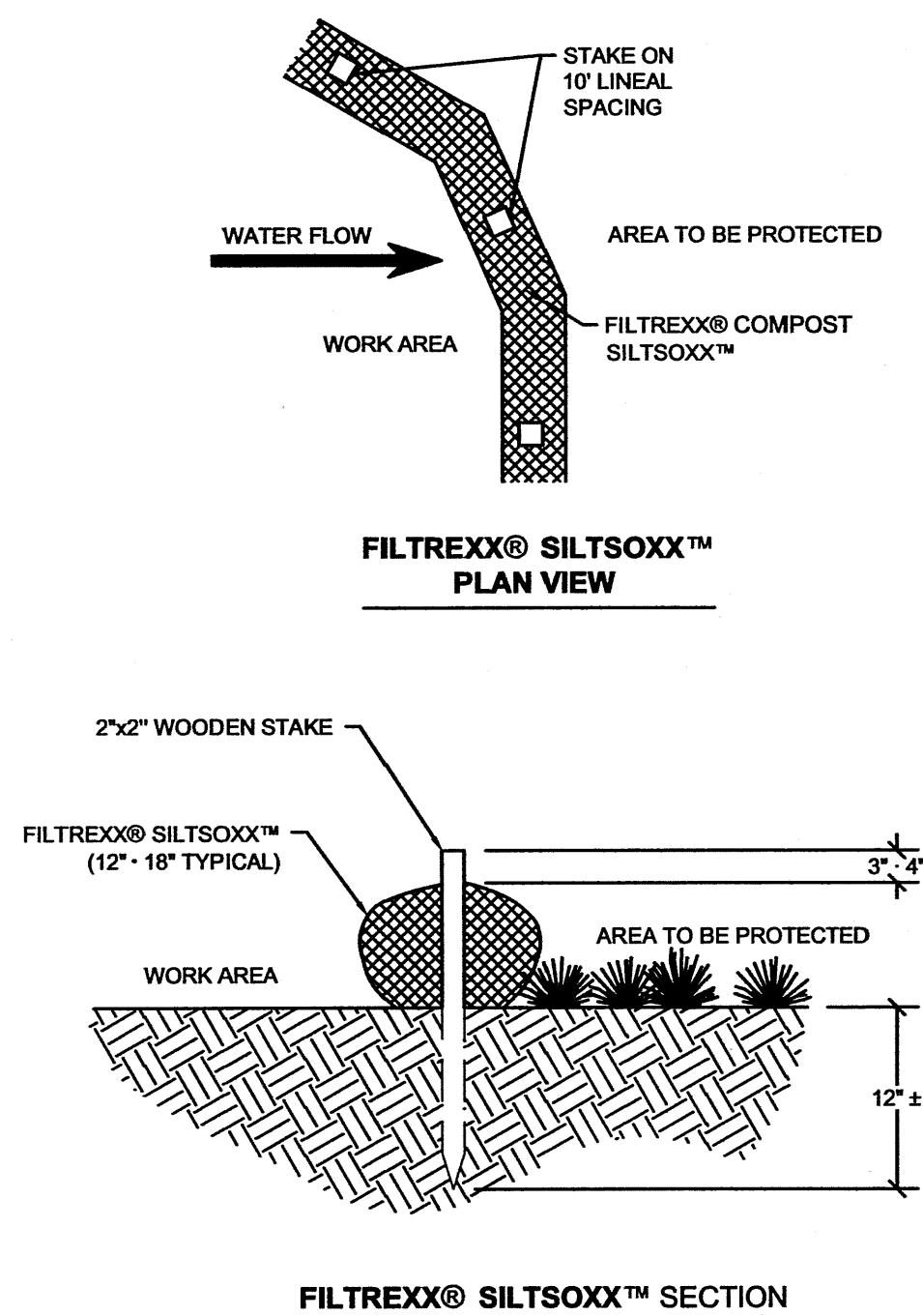


7 HANDICAP PARKING SIGN
C3 SCALE: 3/4" = 1'-0"

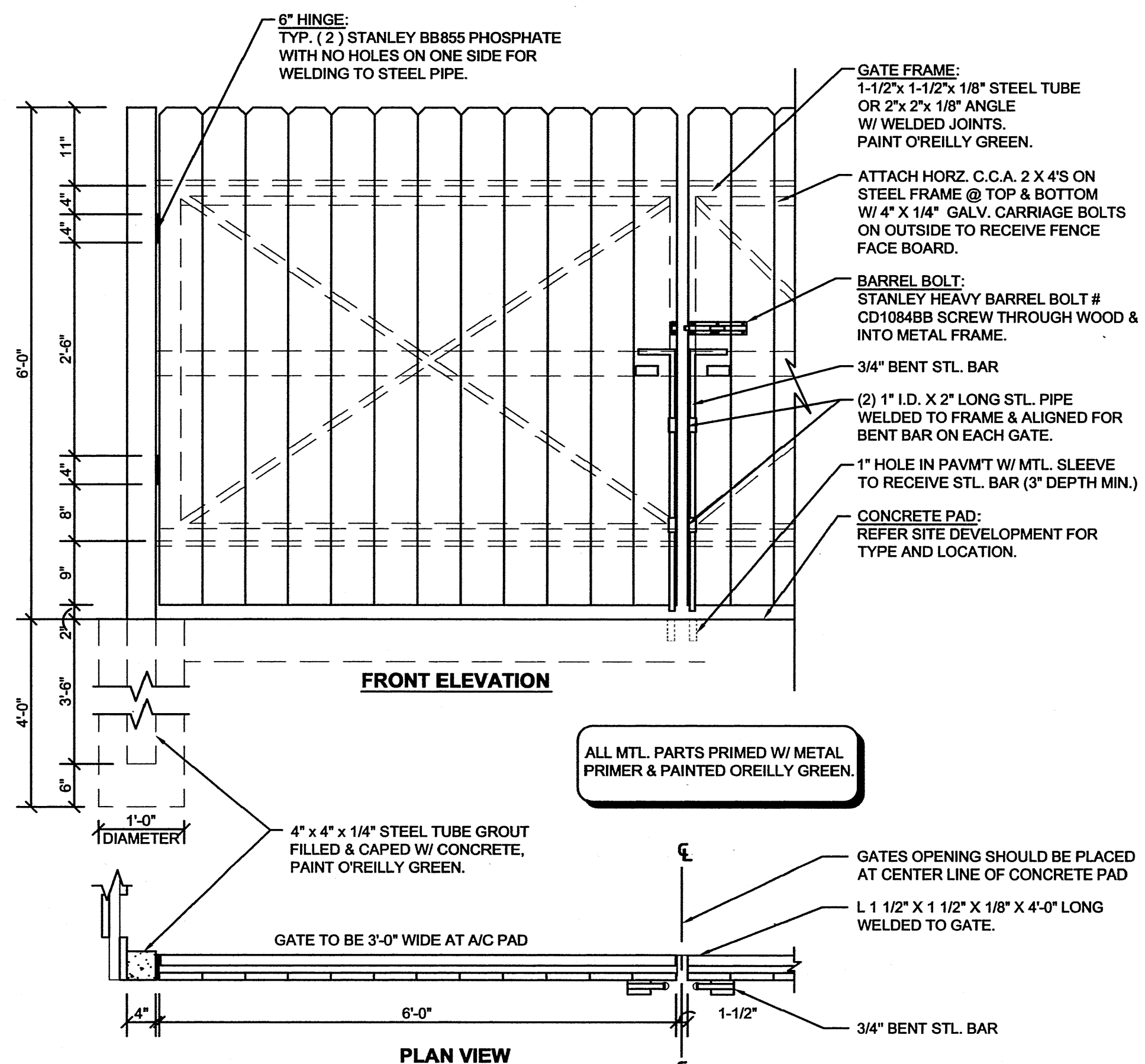


8 CONCRETE HANDICAP RAMP DETAIL
C3 SCALE: N.T.S.

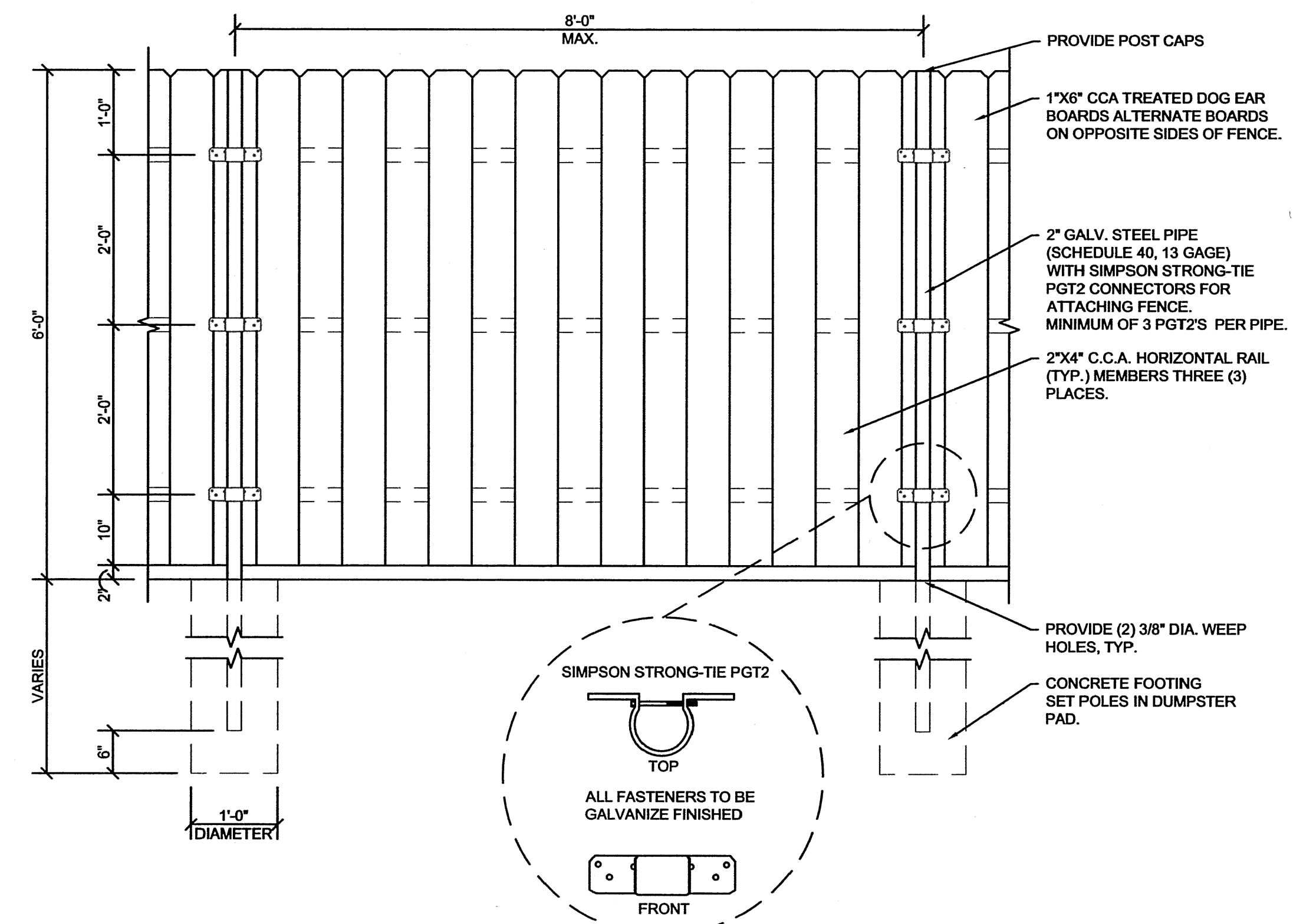
9 NOT USED
C3 SCALE: N.T.S.



10 FILTREX® SILTSOXX™
C3 SCALE: NTS



11 SCREEN FENCE GATE
C3 SCALE: 3/4" = 1'-0"



12 SCREEN FENCE
C3 SCALE: 3/4" = 1'-0"

CRAIG A. SCHNEIDER, AIA
ARCHITECT
1736 East Sunshine, Suite 417
Springfield, Missouri 65804
Phone: 417-862-0568
Fax: 417-862-3265
e-mail: architect@csftrschneider.com

New O'Reilly Auto Parts Store:
COLERAIN AVE.
COLERAIN TOWNSHIP, OH

O'Reilly AUTO PARTS
Corporate Office:
233 South Patterson, Springfield, Mo 65802
Phone: (417) 862-3333 Fax: (417) 874-7112

COMM # 2814

DATE: 7-30-10
REVISION
DATE: