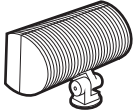




Type:

Job:

Page: 2 of 13



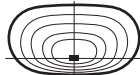



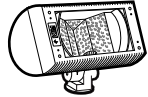


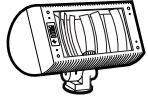



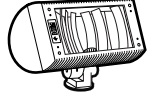


## Standard Features

### Fixture

Cat. No. designates **AFL10** fixture and beam pattern.

Single fixture EPA with standard swivel:

0.7 (45° tilt)  
1.0 (Face on)

				
Beam Pattern:				
Cat. No.:	<input type="checkbox"/> <b>AFL11</b>	<input type="checkbox"/> <b>AFL12</b>	<input type="checkbox"/> <b>AFL13</b>	<input type="checkbox"/> <b>AFL14</b>
				
Beam Pattern:				
Cat. No.:	<input type="checkbox"/> <b>AFL15</b>	<input type="checkbox"/> <b>AFL16</b>	<input type="checkbox"/> <b>AFL17</b>	

### Electrical Module:

**HPS** = High Pressure Sodium

**PMH** = Pulse Start Metal Halide

Cat. Nos. for Electrical Modules available:

	<input type="checkbox"/> <b>70HPS120</b>	<input type="checkbox"/> <b>100HPS120</b>	<input type="checkbox"/> <b>150HPS120</b>
	<input type="checkbox"/> <b>70HPS208</b>	<input type="checkbox"/> <b>100HPS208</b>	<input type="checkbox"/> <b>150HPS208</b>
	<input type="checkbox"/> <b>70HPS240</b>	<input type="checkbox"/> <b>100HPS240</b>	<input type="checkbox"/> <b>150HPS240</b>
	<input type="checkbox"/> <b>70HPS277</b>	<input type="checkbox"/> <b>100HPS277</b>	<input type="checkbox"/> <b>150HPS277</b>
	<input type="checkbox"/> <b>70HPS347</b>	<input type="checkbox"/> <b>100HPS347</b>	<input type="checkbox"/> <b>150HPS347</b>
	<input type="checkbox"/> <b>70HPS480</b>	<input type="checkbox"/> <b>100HPS480</b>	<input type="checkbox"/> <b>150HPS480</b>
Lamp	ED-17 Clear	ED-17 Clear	ED-17 Clear
Socket	Medium Base	Medium Base	Medium Base
ANSI Ballast	S-62	S-54	S-55

Lamp	Lamp	Line
Watts	Type	Volts
<b>150</b>	<b>HPS</b>	<b>277</b>

	<input type="checkbox"/> <b>70PMH120</b>	<input type="checkbox"/> <b>100PMH120</b>	<input type="checkbox"/> <b>150PMH120</b>		
	<input type="checkbox"/> <b>70PMH208</b>	<input type="checkbox"/> <b>100PMH208</b>	<input type="checkbox"/> <b>150PMH208</b>		
	<input type="checkbox"/> <b>70PMH240</b>	<input type="checkbox"/> <b>100PMH240</b>	<input type="checkbox"/> <b>150PMH240</b>		
	<input type="checkbox"/> <b>70PMH277</b>	<input type="checkbox"/> <b>100PMH277</b>	<input type="checkbox"/> <b>150PMH277</b>		
	<input type="checkbox"/> <b>70PMH347</b>	<input type="checkbox"/> <b>100PMH347</b>	<input type="checkbox"/> <b>150PMH347</b>		
	<input type="checkbox"/> <b>70PMH480</b>	<input type="checkbox"/> <b>100PMH480</b>	<input type="checkbox"/> <b>150PMH480</b>		
Lamp	ED-17 Clear	T-6 Clear <sup>1</sup>	ED-17 Clear	ED-17 Clear	T-6 Clear <sup>1</sup>
Socket	Medium Base	G12 Base <sup>1</sup>	Medium Base	Medium Base	G12 Base <sup>1</sup>
ANSI Ballast	M-98		M-90	M-102	

<sup>1</sup>See Options for - 70W PMH and 150W PMH -T6 lamp with G12 Base selection.

**NOTE:** Due to the Energy Independence and Security Act (EISA) of 2007, Kim Lighting can no longer supply probe start metal halide ballasts with its luminaires, effective January 1, 2009. Contact Kim Lighting for availability of replacement ballasts for warranty service claims.

(Visit [www.aboutlightingcontrols.org](http://www.aboutlightingcontrols.org) or the Library of Congress website for more details).

### Finish

Super TGIC powder coat paint over a titanated zirconium conversion coating.

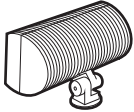
Color: Black Dark Bronze Light Gray Stealth Gray™ Platinum Silver White Custom Color<sup>2</sup>  
Cat. No.:  **BL**  **DB**  **LG**  **SG**  **PS**  **WH**  **CC**

<sup>2</sup>Custom colors subject to additional charges, minimum quantities and extended lead times. Consult representative. Custom color description: \_\_\_\_\_

Type:

Job:

Page: 3 of 13



## Optional Features

Ordered Assembled with Fixture

### Heavy Duty Swivel

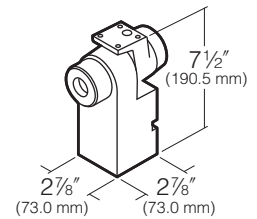
Cat. No.  **HDS**  
 **No Option**

Single fixture EPA with heavy duty swivel:

0.8 (45° tilt)  
 1.1 (Face on)

Cast low copper (<0.6% Cu) aluminum with locking teeth providing 5° adjustment intervals. 3/8" stainless steel locking bolt. Two 3/8" stainless steel set point screws secure swivel to any 2" pipe-size tenon (2 3/8" O.D. x 3 1/2" min. length). Clear anodized prior to chromate conversion coating for added corrosion resistance.

**CAUTION:** Recommended for vandal resistant requirements.



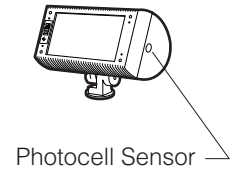
### Photocell

Cat. No. **(see right)**  
 **No Option**

Factory installed with flush sensor on side of housing. Select photocell with same line volts as fixture.

**CAUTION:** Use only in locations where adjacent lighting will not affect operation of photocell.

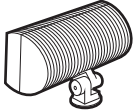
Cat. No.	Line Volts		
<input type="checkbox"/> <b>A-30</b>	120V	<input type="checkbox"/> <b>A-33</b>	277V
<input type="checkbox"/> <b>A-31</b>	208V	<input type="checkbox"/> <b>A-34</b>	480V
<input type="checkbox"/> <b>A-32</b>	240V	<input type="checkbox"/> <b>A-35</b>	347V



Type:

Job:

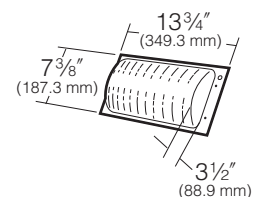
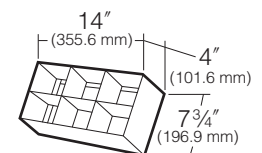
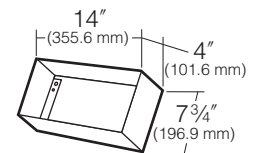
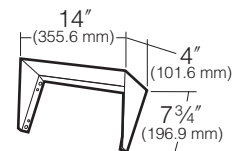
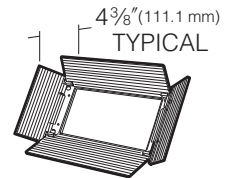
Page: 4 of 13



## Fixture Options

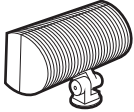
Ordered Separately from Fixture

<p><b>G12 Socket</b>            Cat. No. <input type="checkbox"/> <b>G12</b>  <input type="checkbox"/> <b>No Option</b></p>	<p>Optional G12 base socket available for <i>70W and 150W Pulse Start Metal Halide lamp only</i>, T-6 Bipin configuration. Must use UV filtering lamp. Consult factory.</p>																
<p><b>Barn Doors</b>            Cat. No. <b>(see right)</b>  <input type="checkbox"/> <b>No Option</b></p>	<p>Extruded aluminum doors with anti-reflection baffles. Each door is hinged to a cast, low copper (&lt;0.6% Cu) aluminum frame, and locks by set screws. Doors are individually removable. Barn Door assembly mounts to predrilled door frame holes.</p> <p><b>CAUTION:</b> Not recommended for ground mounted fixtures in vandal prone areas.</p> <table border="0"> <tr> <td>Cat. No.</td> <td>Finish:</td> <td>Cat. No.</td> <td>Finish:</td> </tr> <tr> <td><input type="checkbox"/> <b>BD/BL</b></td> <td>Black</td> <td><input type="checkbox"/> <b>BD/DB</b></td> <td>Dark Bronze</td> </tr> <tr> <td><input type="checkbox"/> <b>BD/LG</b></td> <td>Light Gray</td> <td><input type="checkbox"/> <b>BD/PS</b></td> <td>Platinum Silver</td> </tr> <tr> <td><input type="checkbox"/> <b>BD/SG</b></td> <td>Stealth Gray™</td> <td><input type="checkbox"/> <b>BD/WH</b></td> <td>White</td> </tr> </table>	Cat. No.	Finish:	Cat. No.	Finish:	<input type="checkbox"/> <b>BD/BL</b>	Black	<input type="checkbox"/> <b>BD/DB</b>	Dark Bronze	<input type="checkbox"/> <b>BD/LG</b>	Light Gray	<input type="checkbox"/> <b>BD/PS</b>	Platinum Silver	<input type="checkbox"/> <b>BD/SG</b>	Stealth Gray™	<input type="checkbox"/> <b>BD/WH</b>	White
Cat. No.	Finish:	Cat. No.	Finish:														
<input type="checkbox"/> <b>BD/BL</b>	Black	<input type="checkbox"/> <b>BD/DB</b>	Dark Bronze														
<input type="checkbox"/> <b>BD/LG</b>	Light Gray	<input type="checkbox"/> <b>BD/PS</b>	Platinum Silver														
<input type="checkbox"/> <b>BD/SG</b>	Stealth Gray™	<input type="checkbox"/> <b>BD/WH</b>	White														
<p><b>Fixed Hood</b>            Cat. No. <b>(see right)</b>  <input type="checkbox"/> <b>No Option</b></p>	<p>Formed 1/16" thick aluminum. Mounts to predrilled door frame holes. Can be mounted along the top or bottom of the fixture to shield the lamp and lens from view.</p> <table border="0"> <tr> <td>Cat. No.</td> <td>Finish:</td> <td>Cat. No.</td> <td>Finish:</td> </tr> <tr> <td><input type="checkbox"/> <b>FH/BL</b></td> <td>Black</td> <td><input type="checkbox"/> <b>FH/DB</b></td> <td>Dark Bronze</td> </tr> <tr> <td><input type="checkbox"/> <b>FH/LG</b></td> <td>Light Gray</td> <td><input type="checkbox"/> <b>FH/PS</b></td> <td>Platinum Silver</td> </tr> <tr> <td><input type="checkbox"/> <b>FH/SG</b></td> <td>Stealth Gray™</td> <td><input type="checkbox"/> <b>FH/WH</b></td> <td>White</td> </tr> </table>	Cat. No.	Finish:	Cat. No.	Finish:	<input type="checkbox"/> <b>FH/BL</b>	Black	<input type="checkbox"/> <b>FH/DB</b>	Dark Bronze	<input type="checkbox"/> <b>FH/LG</b>	Light Gray	<input type="checkbox"/> <b>FH/PS</b>	Platinum Silver	<input type="checkbox"/> <b>FH/SG</b>	Stealth Gray™	<input type="checkbox"/> <b>FH/WH</b>	White
Cat. No.	Finish:	Cat. No.	Finish:														
<input type="checkbox"/> <b>FH/BL</b>	Black	<input type="checkbox"/> <b>FH/DB</b>	Dark Bronze														
<input type="checkbox"/> <b>FH/LG</b>	Light Gray	<input type="checkbox"/> <b>FH/PS</b>	Platinum Silver														
<input type="checkbox"/> <b>FH/SG</b>	Stealth Gray™	<input type="checkbox"/> <b>FH/WH</b>	White														
<p><b>Full Shield</b>            Cat. No. <b>(see right)</b>  <input type="checkbox"/> <b>No Option</b></p>	<p>Formed 1/16" thick aluminum. Mounts to predrilled door frame holes.</p> <p><b>CAUTION:</b> Do not use full shield in locations where leaves and trash can collect inside shield.</p> <table border="0"> <tr> <td>Cat. No.</td> <td>Finish:</td> <td>Cat. No.</td> <td>Finish:</td> </tr> <tr> <td><input type="checkbox"/> <b>FS/BL</b></td> <td>Black</td> <td><input type="checkbox"/> <b>FS/DB</b></td> <td>Dark Bronze</td> </tr> <tr> <td><input type="checkbox"/> <b>FS/LG</b></td> <td>Light Gray</td> <td><input type="checkbox"/> <b>FS/PS</b></td> <td>Platinum Silver</td> </tr> <tr> <td><input type="checkbox"/> <b>FS/SG</b></td> <td>Stealth Gray™</td> <td><input type="checkbox"/> <b>FS/WH</b></td> <td>White</td> </tr> </table>	Cat. No.	Finish:	Cat. No.	Finish:	<input type="checkbox"/> <b>FS/BL</b>	Black	<input type="checkbox"/> <b>FS/DB</b>	Dark Bronze	<input type="checkbox"/> <b>FS/LG</b>	Light Gray	<input type="checkbox"/> <b>FS/PS</b>	Platinum Silver	<input type="checkbox"/> <b>FS/SG</b>	Stealth Gray™	<input type="checkbox"/> <b>FS/WH</b>	White
Cat. No.	Finish:	Cat. No.	Finish:														
<input type="checkbox"/> <b>FS/BL</b>	Black	<input type="checkbox"/> <b>FS/DB</b>	Dark Bronze														
<input type="checkbox"/> <b>FS/LG</b>	Light Gray	<input type="checkbox"/> <b>FS/PS</b>	Platinum Silver														
<input type="checkbox"/> <b>FS/SG</b>	Stealth Gray™	<input type="checkbox"/> <b>FS/WH</b>	White														
<p><b>Grid Louver for AFL15 and AFL16</b>            Cat. No. <b>(see right)</b>  <input type="checkbox"/> <b>No Option</b></p>	<p>Formed 1/16" thick aluminum. Mounts to predrilled door frame holes. Provides glare control for <b>AFL15</b> and <b>AFL16</b> Spots while maintaining beam efficiency and uniformity.</p> <p><b>NOTE:</b> For use with <b>AFL15</b> and <b>AFL16</b> only.</p> <table border="0"> <tr> <td>Cat. No.</td> <td>Finish:</td> <td>Cat. No.</td> <td>Finish:</td> </tr> <tr> <td><input type="checkbox"/> <b>GL4/BL</b></td> <td>Black</td> <td><input type="checkbox"/> <b>GL4/DB</b></td> <td>Dark Bronze</td> </tr> <tr> <td><input type="checkbox"/> <b>GL4/LG</b></td> <td>Light Gray</td> <td><input type="checkbox"/> <b>GL4/PS</b></td> <td>Platinum Silver</td> </tr> <tr> <td><input type="checkbox"/> <b>GL4/SG</b></td> <td>Stealth Gray™</td> <td><input type="checkbox"/> <b>GL4/WH</b></td> <td>White</td> </tr> </table>	Cat. No.	Finish:	Cat. No.	Finish:	<input type="checkbox"/> <b>GL4/BL</b>	Black	<input type="checkbox"/> <b>GL4/DB</b>	Dark Bronze	<input type="checkbox"/> <b>GL4/LG</b>	Light Gray	<input type="checkbox"/> <b>GL4/PS</b>	Platinum Silver	<input type="checkbox"/> <b>GL4/SG</b>	Stealth Gray™	<input type="checkbox"/> <b>GL4/WH</b>	White
Cat. No.	Finish:	Cat. No.	Finish:														
<input type="checkbox"/> <b>GL4/BL</b>	Black	<input type="checkbox"/> <b>GL4/DB</b>	Dark Bronze														
<input type="checkbox"/> <b>GL4/LG</b>	Light Gray	<input type="checkbox"/> <b>GL4/PS</b>	Platinum Silver														
<input type="checkbox"/> <b>GL4/SG</b>	Stealth Gray™	<input type="checkbox"/> <b>GL4/WH</b>	White														
<p><b>Lexan® Lens Shield</b>            Cat. No. <input type="checkbox"/> <b>AFL-LS</b>  <input type="checkbox"/> <b>No Option</b></p>	<p>3/16" thick, clear convex, vacuum formed, advanced polymer (Lexan®) lens shield with gasket. Mounts over lens to predrilled door frame holes and may be used with <b>BD</b> Barn Door, <b>FH</b> Fixed Hood, or <b>FS</b> Full Shield option.</p> <p><b>CAUTION:</b> Use only when vandalism is anticipated.</p> <p><b>NOTE:</b> Not for use with <b>GL4</b> Louver or <b>CFA1</b> color filter options.</p>																



Type:

Job:



## Fixture Options

Ordered Separately from Fixture

### Color Filter Assembly

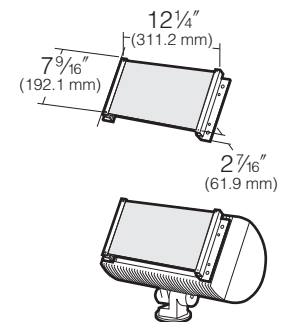
Cat. No. (See right)  
 No Option

Heavy wall aluminum extrusion with anti-reflection baffles and vertical channels that hold the color filter 2" away from the fixture lens. Quick change-out of the color filter is possible by the removal of two channel screws. Support mounts to predrilled holes in fixture door frame. May be used with **BD** Barn Door, **FH** Fixed Hood, or **FS** Full Shield option.

Cat. No.	Finish:
<input type="checkbox"/> <b>CFA1-XX/BL</b>	Black
<input type="checkbox"/> <b>CFA1-XX/DB</b>	Dark Bronze
<input type="checkbox"/> <b>CFA1-XX/LG</b>	Light Gray
<input type="checkbox"/> <b>CFA1-XX/SG</b>	Stealth Gray™
<input type="checkbox"/> <b>CFA1-XX/PS</b>	Platinum Silver
<input type="checkbox"/> <b>CFA1-XX/WH</b>	White

Color Filter Assembly Cat. No. includes color filter and channel finish. Specify filter, substituting **XX** for color filter number (See below) and add finish.

Ex.: **CFA1-15/BL**



### Color Filter Selection (See color samples on page 47 of AFL catalog.)

Color <sup>1</sup>	XX Filter # <sup>2</sup>	Description
Deep Straw	<input type="checkbox"/> 15	Warms metal halide color. Deepens high pressure sodium color to yellow/orange.
Rose Tint	<input type="checkbox"/> 05	Warms metal halide color. Deepens high pressure sodium color to pink/orange.
Medium Red	<input type="checkbox"/> 27	Deep color accent. Best used with high pressure sodium lamps. <b>NOTE:</b> Very low output with metal halide lamps.
Brilliant Blue	<input type="checkbox"/> 69	Deep color accent. Best used with metal halide lamps. <b>NOTE:</b> Not recommended for high pressure sodium lamps.
Primary Green	<input type="checkbox"/> 91	Deep color accent. Blue shift with metal halide lamps. Yellow shift with high pressure sodium lamps.

**NOTE:** Color samples shown for reference only and will not represent actual illumination color rendered by HID lamps.

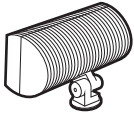
<sup>1</sup>Exact color output is highly dependent on lamp used, (i.e. HPS vs. PMH, specific lamp color temperature and other factors).

<sup>2</sup>**XX** Color filter number corresponds with Roscolux color filter numbers.

Type:

Job:

Page: 6 of 13



## Mounting Options

Ordered Separately from Fixture



Reference symbol for fixture aiming range when mounted on the option as shown. This range is in the vertical plane and does not necessarily apply to all conditions. See page 1 for full aiming range without mounting options.

### Brass In-grade Architectural Junction Box

Standard Swivel Mount.

Cat. No. (See right)  
 No Option

Die-cast brass with 1/2" NPSM fixture mount and die-cast cover. Internal set screw provided for locking position. 21 cu in. internal volume.

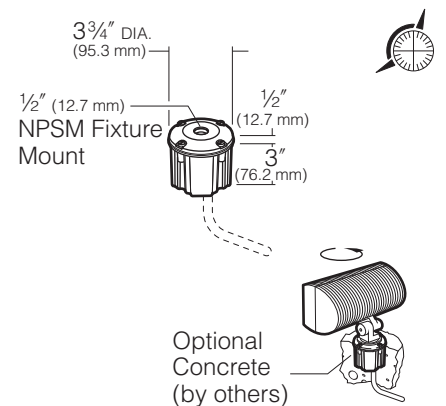
- JBR-2** (2) 1/2" NPT in bottom
- JBR-3** (2) 3/4" NPT in bottom
- JBR-21** (2) 1/2" NPT in sides, (2) 1/2" NPT in bottom
- JBR-24** (4) 1/2" NPT in sides, (2) 1/2" NPT in bottom

**NOTE:** All side taps provided with plugs.

#### Application Notes

- Creates a flush-mounted appearance.
- May be cast in concrete for increased stability.

**CAUTION:** Fixture stem and swivel must not contact soil or standing water. Provide drainage away from junction box.



### Brass In-grade Staked Junction Box

Standard Swivel Mount.

Cat. No. (See right)  
 No Option

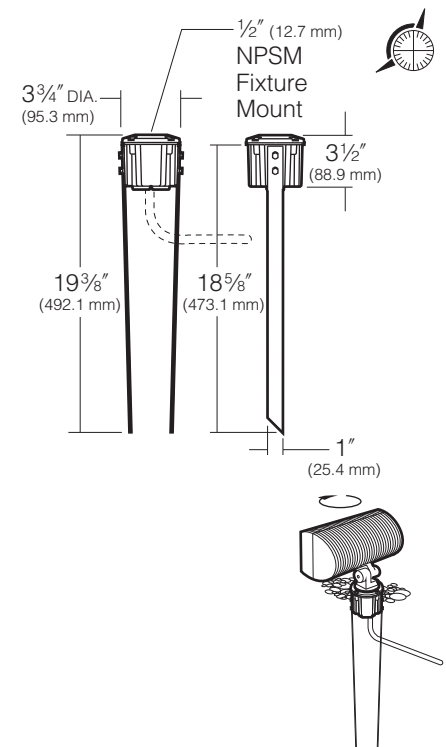
Die-cast brass with 1/2" NPSM fixture mount and die-cast cover. Internal set screw provided for locking position. 21 cu in. internal volume.

- JBR30** (2) 1/2" NPT in bottom, (2) 19" long stakes

#### Application Notes

- Creates a flush-mounted appearance.
- May be cast in concrete for increased stability.

**CAUTION:** To assure a rigid installation, Staked Junction Box must be set in concrete (by others). Fixture stem and swivel must not contact soil or standing water. Provide drainage away from junction box.

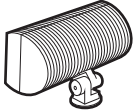




Type:

Job:

Page: 7 of 13



## Mounting Options

### Ordered Separately from Fixture



Reference symbol for fixture aiming range when mounted on the option as shown. This range is in the vertical plane and does not necessarily apply to all conditions. See page 1 for full aiming range without mounting options.

#### Stanchion Mount

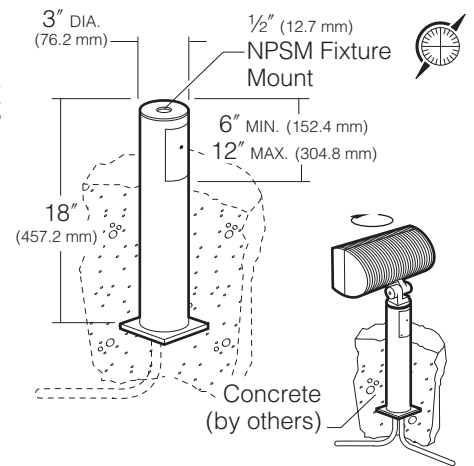
Standard Swivel Mount.

Cat. No. **(See right)**  
 No Option

3" O.D. by .188" wall cast low copper (<0.6% Cu) aluminum with 1/2" NPSM fixture mount and hand hole with flush cover. Internal set screw fixture lock accessible through hand hole. Internal ground lug supplied with installed lead.

**CAUTION:** To assure a rigid installation, stanchion must be set in concrete (by others).

- |                                  |                 |
|----------------------------------|-----------------|
| Cat. No.                         | Finish:         |
| <input type="checkbox"/> SM18/BL | Black           |
| <input type="checkbox"/> SM18/DB | Dark Bronze     |
| <input type="checkbox"/> SM18/LG | Light Gray      |
| <input type="checkbox"/> SM18/SG | Stealth Gray™   |
| <input type="checkbox"/> SM18/PS | Platinum Silver |
| <input type="checkbox"/> SM18/WH | White           |



#### Surface Mount

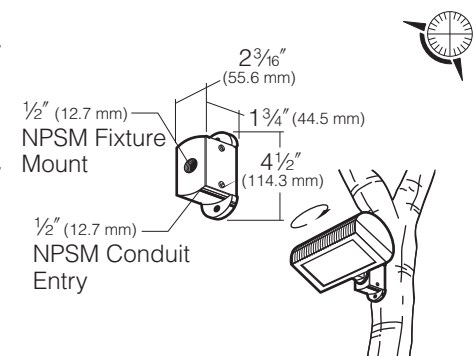
Standard Swivel Mount.

Cat. No. **(See right)**  
 No Option

Cast low copper (<0.6% Cu) aluminum with mounting ears for wood screw attachment to tree or wood structure. 5.5 cu in. splice compartment with gasketed cover. 1/2" NPSM fixture mount and 1/2" NPSM conduit or cord seal entry.

**NOTE:** Surface mount can be connected to conduit or outdoor cord with a waterproof cord seal (by others).

- |                                   |                 |
|-----------------------------------|-----------------|
| Cat. No.                          | Finish:         |
| <input type="checkbox"/> J-27N/BL | Black           |
| <input type="checkbox"/> J-27N/DB | Dark Bronze     |
| <input type="checkbox"/> J-27N/LG | Light Gray      |
| <input type="checkbox"/> J-27N/SG | Stealth Gray™   |
| <input type="checkbox"/> J-27N/PS | Platinum Silver |
| <input type="checkbox"/> J-27N/WH | White           |



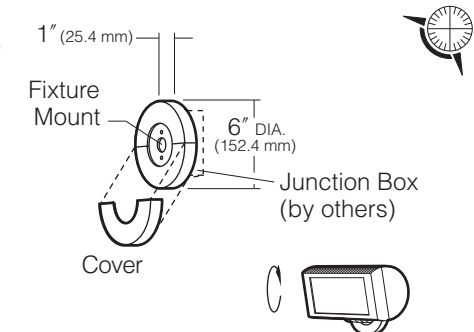
#### Wall or Ceiling Mount

Standard Swivel Mount.

Cat. No. **(See right)**  
 No Option

Electro zinc steel mounting plate adapts to standard 4" square or octagonal Junction Boxes. Fixture mounts to cast low copper (<0.6% Cu) aluminum upper cover which attaches to mounting plate. Lower cover half provides splice access. Dielectric sealing compound provided for wall interface.

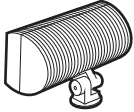
- |                                |                 |
|--------------------------------|-----------------|
| Cat. No.                       | Finish:         |
| <input type="checkbox"/> WM/BL | Black           |
| <input type="checkbox"/> WM/DB | Dark Bronze     |
| <input type="checkbox"/> WM/LG | Light Gray      |
| <input type="checkbox"/> WM/SG | Stealth Gray™   |
| <input type="checkbox"/> WM/PS | Platinum Silver |
| <input type="checkbox"/> WM/WH | White           |



Type:

Job:

Page: 8 of 13



## Mounting Features

Ordered Separately from Fixture



Reference symbol for fixture aiming range when mounted on the option as shown. This range is in the vertical plane and does not necessarily apply to all conditions. See page 1 for full aiming range without mounting options.

### Architectural Junction Box

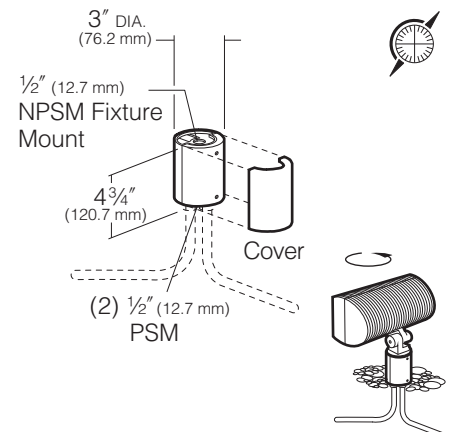
Standard Swivel Mount.

Cat. No. (See right)  
 No Option

Die-cast, low copper (<0.6% Cu) anodized aluminum with 1/2" NPSM fixture mount. Internal set screw provided for locking position. Two 1/2" NPSM in bottom, 17 cu in. internal volume.

**CAUTION:** Junction Box must be installed high enough to avoid contact with soil or standing water.

Cat. No. Finish:  
 **JB1/BL** Black  
 **JB1/DB** Dark Bronze  
 **JB1/LG** Light Gray  
 **JB1/SG** Stealth Gray™  
 **JB1/PS** Platinum Silver  
 **JB1/WH** White



### Wall Mount

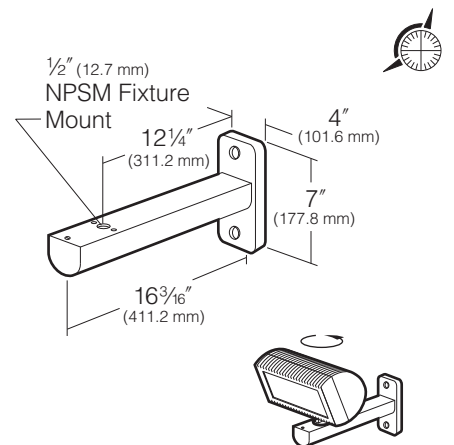
Standard Swivel Mount.

Cat. No. (See right)  
 No Option

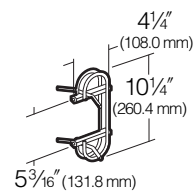
Component EPA: 0.3

Extruded aluminum arm with a removable end cap for wiring access. Arm is welded to a cast aluminum plate with two 1/2" dia. mounting holes.

Cat. No. Finish:  
 **WM1/BL** Black  
 **WM1/DB** Dark Bronze  
 **WM1/LG** Light Gray  
 **WM1/SG** Stealth Gray™  
 **WM1/PS** Platinum Silver  
 **WM1/WH** White  
 **WEB**



**Optional Wall Embedment Bracket (WEB)** provides 3/8-16 bolt receptacles welded in a galvanized re-bar cage for casting into poured-in-place concrete walls. Bolt receptacles receive fixture attachment bolts.

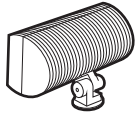




Type:

Job:

Page: 9 of 13



## Mounting Options

### Ordered Separately from Fixture



Reference symbol for fixture aiming range when mounted on the option as shown. This range is in the vertical plane and does not necessarily apply to all conditions. See page 1 for full aiming range without mounting options.

#### Side Pole Mount

Standard Swivel Mount.

Cat. No. **(see right)**

No Option

Component EPA: 0.3

Available for Round and Square Poles

**NOTE:** Field drilling of Poles is required.

Extruded aluminum arm. Internal set screw fixture lock. Removable end cap for wiring access. For use with other Kim Site/Roadway Luminaires as an additional mid-pole floodlight.

Cat. No.	Finish:
<input type="checkbox"/> <b>SPM-X/BL</b>	Black
<input type="checkbox"/> <b>SPM-X/DB</b>	Dark Bronze
<input type="checkbox"/> <b>SPM-X/LG</b>	Light Gray
<input type="checkbox"/> <b>SPM-X/SG</b>	Stealth Gray™
<input type="checkbox"/> <b>SPM-X/PS</b>	Platinum Silver
<input type="checkbox"/> <b>SPM-X/WH</b>	White

Side Pole Mount Cat. No. includes pole dia. and finish.

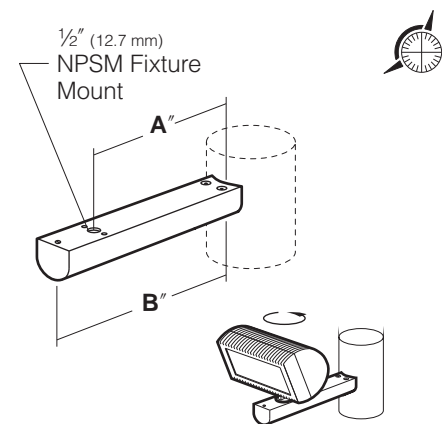
Pole Diameter Selection

- 3"
- 3½"
- 4"
- 5"
- 6"
- Square Pole

Example: **SPM-4/BL** for 4" Round Pole

For square poles, omit **-X** and add finish.

Example: **SPM/BL** for Square Pole.



**A** 11½" (292.1 mm) For Round Poles  
12" (304.8 mm) For Square Poles

**B** 15⅜" (390.5 mm) For Round Poles  
15⅞" (403.2 mm) For Square Poles

#### Twin Mount

Standard Swivel Mount.

Cat. No. **(see right)**

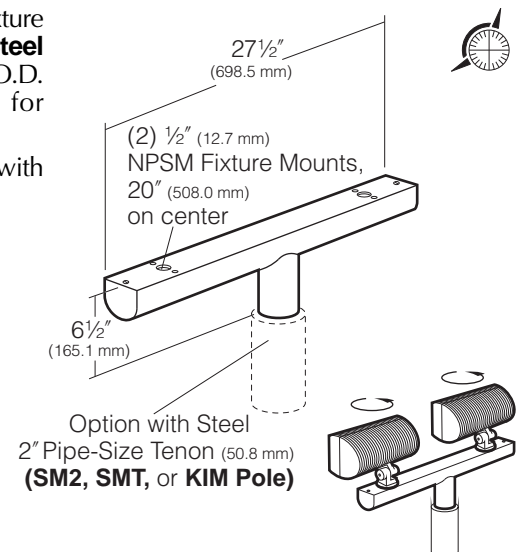
No Option

Component EPA: 0.6

Extruded aluminum arm. Internal set screw fixture locks. Can be mounted on a **SM2**, **SMT**, or **Steel Kim Pole** with steel 2" pipe-size tenon (2⅜" O.D. x 3½" min. length). Removable end caps for wiring access.

**CAUTION:** Approved for mounting to poles with steel tenons only.

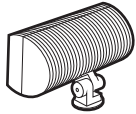
Cat. No.	Finish:
<input type="checkbox"/> <b>TM2/BL</b>	Black
<input type="checkbox"/> <b>TM2/DB</b>	Dark Bronze
<input type="checkbox"/> <b>TM2/LG</b>	Light Gray
<input type="checkbox"/> <b>TM2/SG</b>	Stealth Gray™
<input type="checkbox"/> <b>TM2/PS</b>	Platinum Silver
<input type="checkbox"/> <b>TM2/WH</b>	White



Type:

Job:

Page: 10 of 13



## Mounting Options

Ordered Separately from Fixture



Reference symbol for fixture aiming range when mounted on the option as shown. This range is in the vertical plane and does not necessarily apply to all conditions. See page 1 for full aiming range without mounting options.

### Post Top Mount

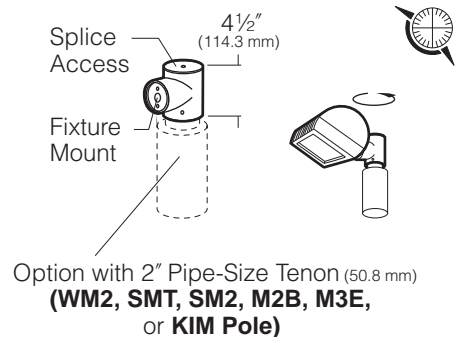
Standard Swivel Mount.

Cat. No. **(see right)**  
 **No Option**

Component EPA: 0.7

Cast aluminum mount for pole or other mounting option with 2" pipe-size tenon (2<sup>3</sup>/<sub>8</sub>" O.D. x 3<sup>1</sup>/<sub>2</sub>" minimum length). Fixture attaches with concealed internal studs, mounting is with 1/4-20 allen set screws. Top cap provides splice access.

Cat. No.	Finish:
<input type="checkbox"/> <b>PT/BL</b>	Black
<input type="checkbox"/> <b>PT/DB</b>	Dark Bronze
<input type="checkbox"/> <b>PT/LG</b>	Light Gray
<input type="checkbox"/> <b>PT/SG</b>	Stealth Gray™
<input type="checkbox"/> <b>PT/PS</b>	Platinum Silver
<input type="checkbox"/> <b>PT/WH</b>	White



### Twin Post Top Mount

Standard Swivel Mount.

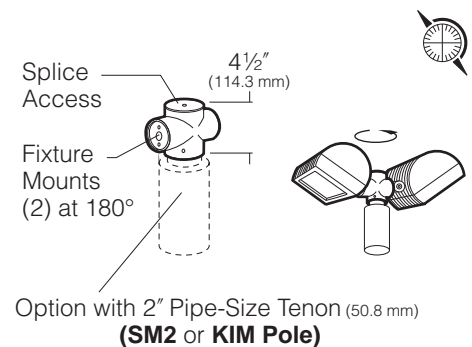
Cat. No. **(see right)**  
 **No Option**

Component EPA: 0.1

Cast aluminum mount for pole or other mounting option with 2" pipe-size tenon (2<sup>3</sup>/<sub>8</sub>" O.D. x 3<sup>1</sup>/<sub>2</sub>" minimum length). Fixture attaches with concealed internal studs, mounting is with 1/4-20 allen set screws. Top cap provides splice access.

**NOTE:** Not for use with **SMT, SPT, WM2, M2B, or M3E** options.

Cat. No.	Finish:
<input type="checkbox"/> <b>PT2/BL</b>	Black
<input type="checkbox"/> <b>PT2/DB</b>	Dark Bronze
<input type="checkbox"/> <b>PT2/LG</b>	Light Gray
<input type="checkbox"/> <b>PT2/SG</b>	Stealth Gray™
<input type="checkbox"/> <b>PT2/PS</b>	Platinum Silver
<input type="checkbox"/> <b>PT2/WH</b>	White



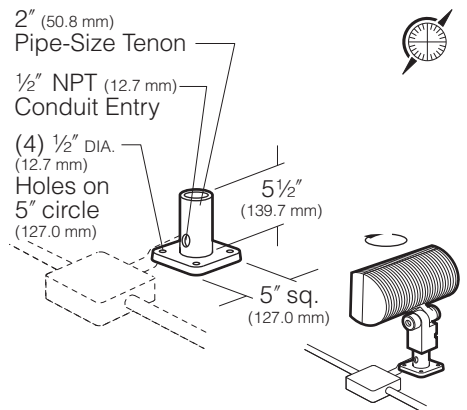
### Surface Mount Tenon

2" Tenon - For Optional Heavy Duty Swivel Mount Only.

Cat. No.  **SMT/BL**  
 **No Option**

2" pipe-size tenon (2<sup>3</sup>/<sub>8</sub>" O.D., 2" I.D.) welded to a cast aluminum plate. Plate has four 1/2" mounting holes, and tenon has one 1/2" NPT for side conduit entry. Black finish.

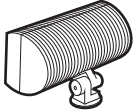
**NOTE:** Not for use with **PT2, M2B, or M3E** options. May be wall mounted if horizontal fixture adjustment is not required. For wall mounting with horizontal fixture adjustment, use **WM2**.



Type:

Job:

Page: 11 of 13



## Mounting Options

### Ordered Separately from Fixture



Reference symbol for fixture aiming range when mounted on the option as shown. This range is in the vertical plane and does not necessarily apply to all conditions. See page 1 for full aiming range without mounting options.

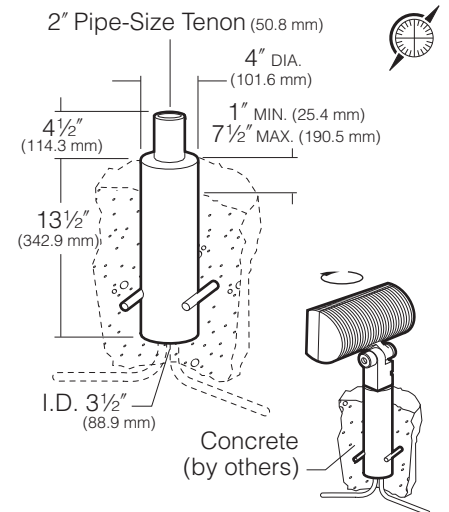
#### Stanchion Mount Tenon

2" Tenon - For Optional Heavy Duty Swivel Mount Only.

- Cat. No.     **SM2/BL**  
                   **No Option**

4" O.D. cast low copper (<0.6% Cu) aluminum stanchion with 2" pipe-size tenon (2<sup>3</sup>/<sub>8</sub>" O.D., 1<sup>3</sup>/<sub>8</sub>" I.D.) for mounting a single fixture or multiple top-mounts. Black finish.

**CAUTION:** Multiple top-mounts must not be used in locations where people can climb on fixtures and mounting arms. To assure a rigid installation, stanchion must be set in concrete (by others).



#### Wall Mount Tenon

2" Tenon - For Optional Heavy Duty Swivel Mount Only.

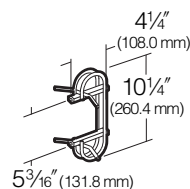
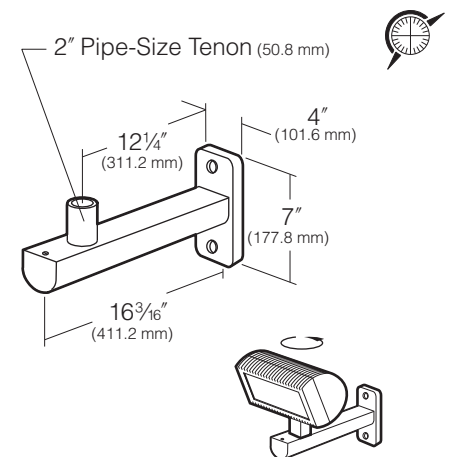
- Cat. No.    **(see right)**  
                   **No Option**

Component EPA: 0.3

2" pipe-size tenon (2<sup>3</sup>/<sub>8</sub>" O.D., 2" I.D.) welded to an extruded aluminum arm with a removable end cap for wiring access. Arm is welded to a cast aluminum plate with two 1/2" mounting holes.

**NOTE:** Not for use with **PT2** option.

- |  |                 |
|--|-----------------|
| Cat. No.                               | Finish:         |
| <input type="checkbox"/> <b>WM2/BL</b> | Black           |
| <input type="checkbox"/> <b>WM2/DB</b> | Dark Bronze     |
| <input type="checkbox"/> <b>WM2/LG</b> | Light Gray      |
| <input type="checkbox"/> <b>WM2/SG</b> | Stealth Gray™   |
| <input type="checkbox"/> <b>WM2/PS</b> | Platinum Silver |
| <input type="checkbox"/> <b>WM2/WH</b> | White           |
| <input type="checkbox"/> <b>WEB</b>    |                 |

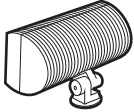


**Optional Wall Embedment Bracket (WEB)** provides 3/8-16 bolt receptacles welded in a galvanized re-bar cage for casting into poured-in-place concrete walls. Bolt receptacles receive fixture attachment bolts.

Type:

Job:

Page: 12 of 13



## Mounting Options

Ordered Separately from Fixture



Reference symbol for fixture aiming range when mounted on the option as shown. This range is in the vertical plane and does not necessarily apply to all conditions. See page 1 for full aiming range without mounting options.

### Side Pole Mount Tenon

2" Tenon - For Optional Heavy Duty Swivel Mount Only.

Cat. No. **(see right)**  
 No Option

Component EPA: 0.3

Available for Round and Square Poles.

**NOTE:** Field drilling of Poles is required.

Extruded aluminum arm with one 2" pipe-size tenon (2 3/8" O.D., 2" I.D.). Removable end cap for wiring access. For use with other Kim Site/Roadway Luminaires as an additional mid-pole floodlight.

**NOTE:** Not for use with **PT2** option.

Cat. No.	Finish:
<input type="checkbox"/> <b>SPT-X/BL</b>	Black
<input type="checkbox"/> <b>SPT-X/DB</b>	Dark Bronze
<input type="checkbox"/> <b>SPT-X/LG</b>	Light Gray
<input type="checkbox"/> <b>SPT-X/SG</b>	Stealth Gray™
<input type="checkbox"/> <b>SPT-X/PS</b>	Platinum Silver
<input type="checkbox"/> <b>SPT-X/WH</b>	White

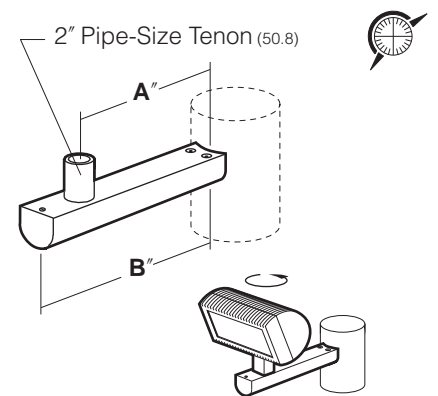
Side Pole Mount Cat. No. includes pole dia. and finish.

Pole Diameter Selection

- 3"
- 3 1/2"
- 4"
- 5"
- 6"
- Square Pole

Example: **SPT-4/BL** for 4" Round Pole

For square poles, omit **-X** and add finish.  
Example: **SPT/BL** for Square Pole.



- |          |                    |                  |
|----------|--------------------|------------------|
| <b>A</b> | 11 1/2" (292.1 mm) | For Round Poles  |
|          | 12" (304.8 mm)     | For Square Poles |
| <b>B</b> | 15 3/8" (390.5 MM) | For Round Poles  |
|          | 15 7/8" (403.2 MM) | For Square Poles |

### Twin Mount Tenon

2" Tenon - For Optional Heavy Duty Swivel Mount Only.

Cat. No. **(see right)**  
 No Option

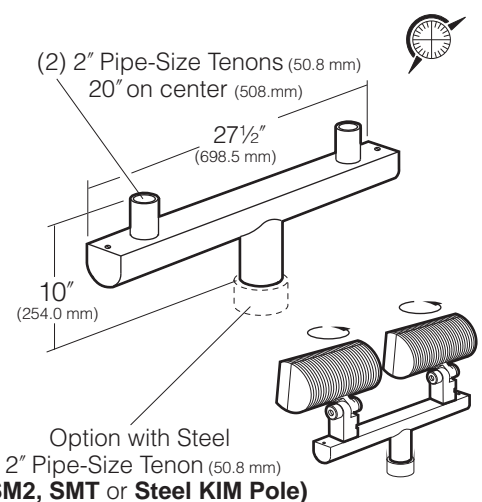
Component EPA: 0.6

Extruded aluminum arm with two 2" pipe-size tenons (2 3/8" O.D., 2" I.D.). Can be mounted on a **SM2**, **SMT**, or **Steel Kim Pole** with a steel 2" pipe-size tenon (2 3/8" O.D. x 3 1/2" min. length). Removable end caps for wiring access.

**NOTE:** Not for use with **PT2** option.

**CAUTION:** Approved for mounting to poles with steel tenons only.

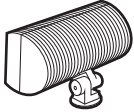
Cat. No.	Finish:
<input type="checkbox"/> <b>M2B/BL</b>	Black
<input type="checkbox"/> <b>M2B/DB</b>	Dark Bronze
<input type="checkbox"/> <b>M2B/LG</b>	Light Gray
<input type="checkbox"/> <b>M2B/SG</b>	Stealth Gray™
<input type="checkbox"/> <b>M2B/PS</b>	Platinum Silver
<input type="checkbox"/> <b>M2B/WH</b>	White



Type:

Job:

Page: 13 of 13



## Mounting Options

Ordered Separately from Fixture



Reference symbol for fixture aiming range when mounted on the option as shown. This range is in the vertical plane and does not necessarily apply to all conditions. See page 1 for full aiming range without mounting options.

### Triple Mount Tenon

2" Tenon - For Optional Heavy Duty Swivel Mount Only.

Cat. No. (see right)

No Option

Component EPA: 1.0

Extruded aluminum arm with three 2" pipe-size tenons (2<sup>3</sup>/<sub>8</sub>" O.D., 2" I.D.). Can be mounted on a **SM2, SMT, or Steel Kim Pole** with steel 2" pipe-size tenon (2<sup>3</sup>/<sub>8</sub>" O.D. x 3<sup>1</sup>/<sub>2</sub>" min. length). Removable end caps for wiring access.

**NOTE:** Not for use with **PT2** option.

**CAUTION:** Approved for mounting to poles with steel tenons only.

Cat. No.

**M3E/BL**

**M3E/DB**

**M3E/LG**

**M3E/SG**

**M3E/PS**

**M3E/WH**

Finish:

Black

Dark Bronze

Light Gray

Stealth Gray™

Platinum Silver

White

