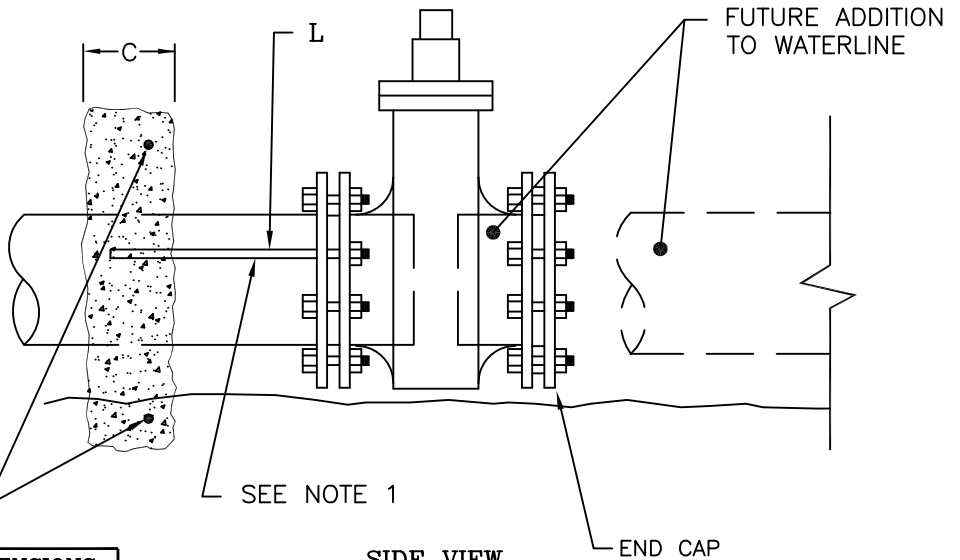
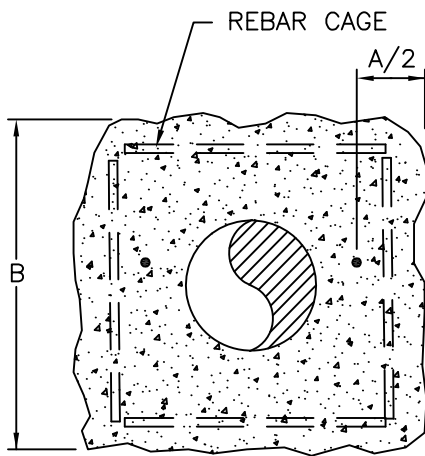


TOP VIEW



SIDE VIEW

3/8" REBAR

PIPE DIAMETER	RODS REQUIRED	DIMENSIONS		
		A/2	B	C
6"	2	1 FT ²	2' 8"	8"
8"	2	2 FT ²	2' 8"	8"
10"	2	2 FT ²	2' 12"	12"
12"	4	2 FT ²	3' 12"	12"
16"	4	3 FT ²	4' 16"	16"
18"	4	3 FT ²	4' 20"	20"
20"	6	4 FT ²	4' 24"	24"
24"	8	8 FT ²	5' 24"	24"

MINIMUM BEARING AREA OF THRUST BLOCK IN SQ. FEET (BASED ON 2,000 P.S.F. SOIL BEARING CAP)

NOTES:

1. THE LENGTH OF RODS "L" SHALL BE 10 FEET MINIMUM OR AS DIRECTED BY THE ENGINEER.
2. CONCRETE SHALL BE 3000 PSI COMMERCIAL MIX CONCRETE.

SADDLE THRUST BLOCK



CITY OF
WEST RICHLAND

DRAWN BY: AFW
CHECKED BY: HLM

DATE: 10/09
REVISION: 10/09

4-6A

DRAWING NO.