

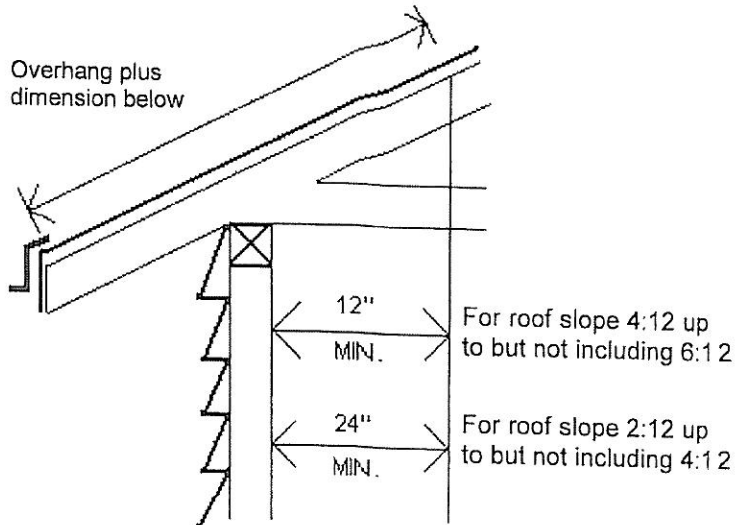
**BUILDING PRECONSTRUCTION MEETING REQUEST**  
**CITY OF WEST RICHLAND**  
 3801 W Van Giesen, West Richland WA 99353  
 Phone: (509) 967-5902 Fax: (509) 967-2419

**ICE SHIELD REQUIREMENT FOR ASPHALT SHINGLE ROOFS**

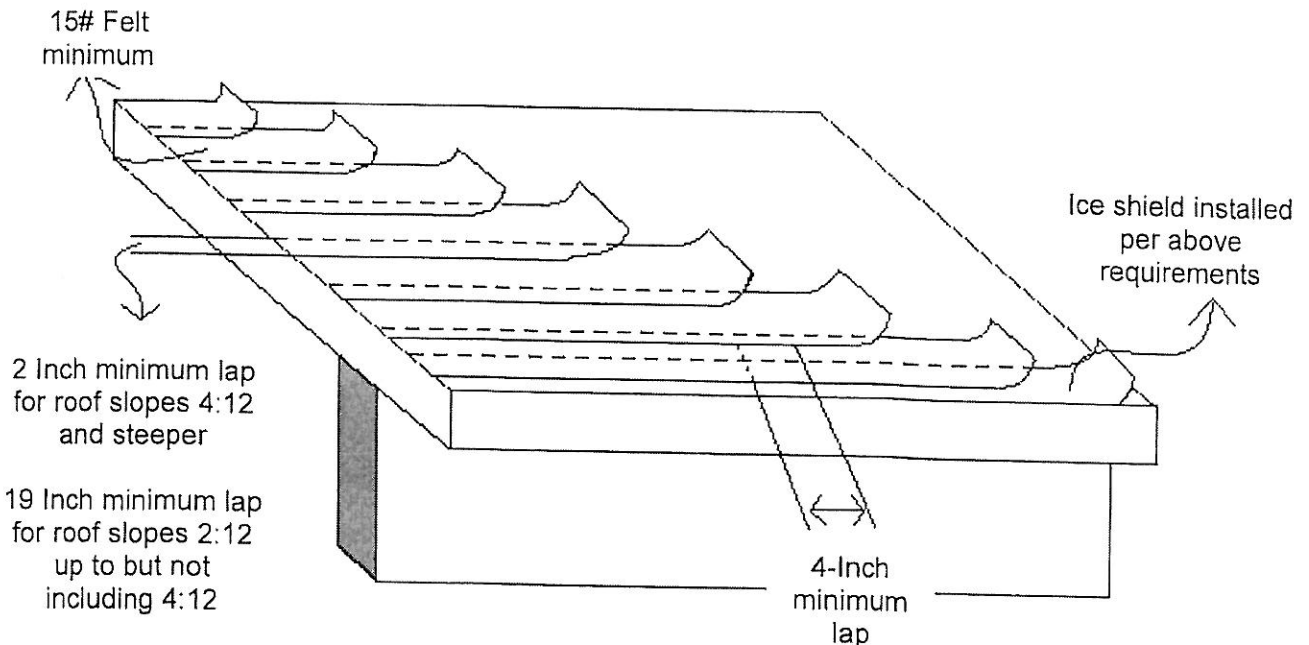
**Ice Shield Area**

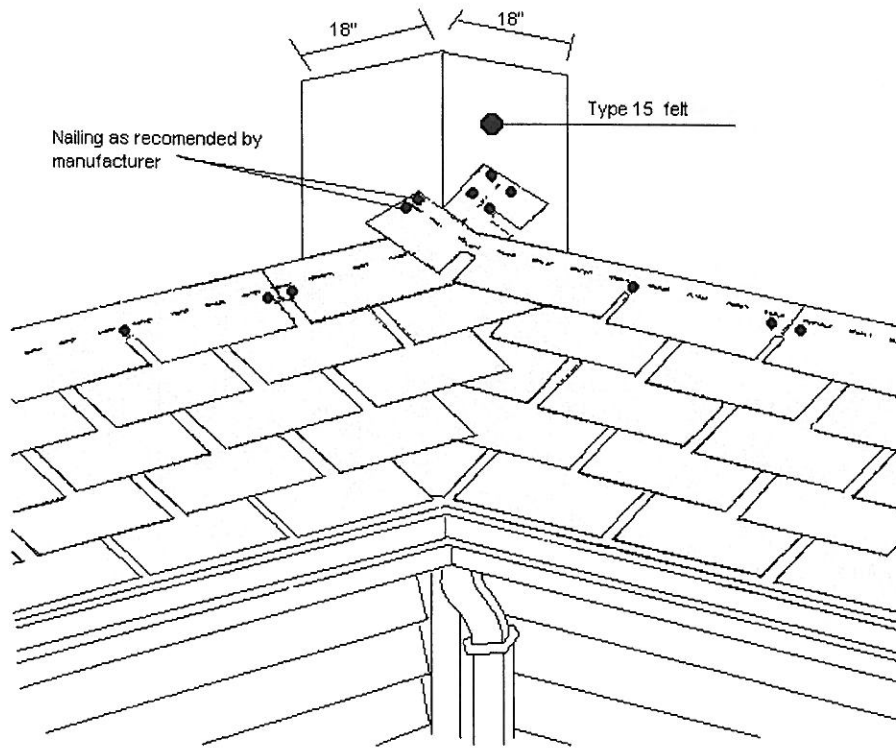
Ice shield can be purchased with "sticky-back" to adhere directly to wood sheathing. Otherwise, use 30# roofing felt cemented directly to wood sheathing w/tar-based adhesive (such as "Black Jack"). All laps shall be cemented together, also. "Z"-metal flashing applied atop the ice shield but beneath shingles.

Note: Ice shield not required for slopes 6:12 and greater.

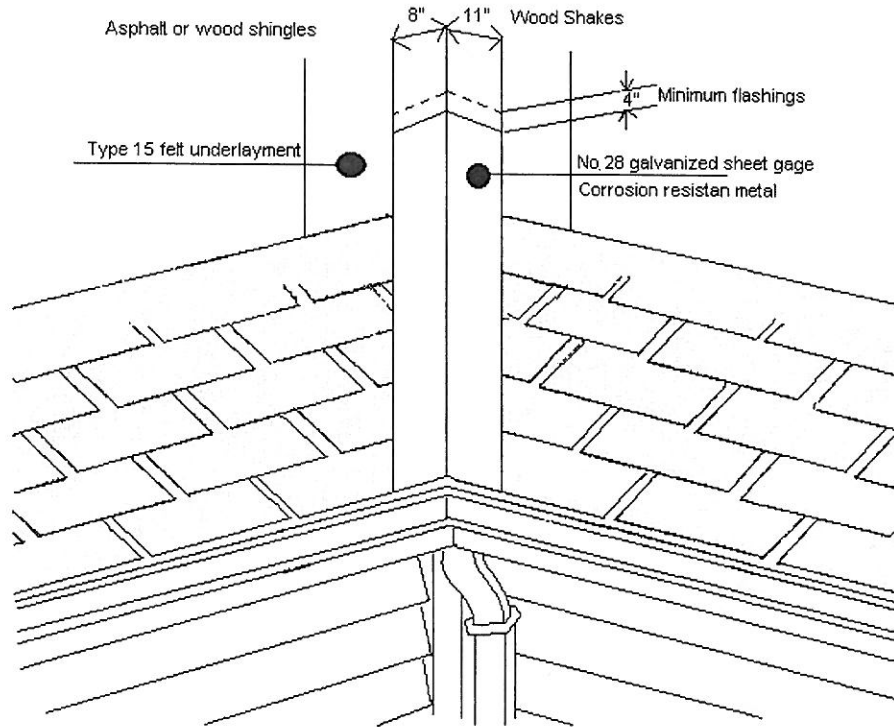


**TYPICAL FELT UNDERLAYMENT FOR ASPHALT SHINGLES**  
 FOLLOW ALL MANUFACTURERS REQUIREMENTS





**ALTERNATE VALLEY FLASHING**



**FLASHING**