

Capital Metro Redline

Downtown Station TWM Shelter

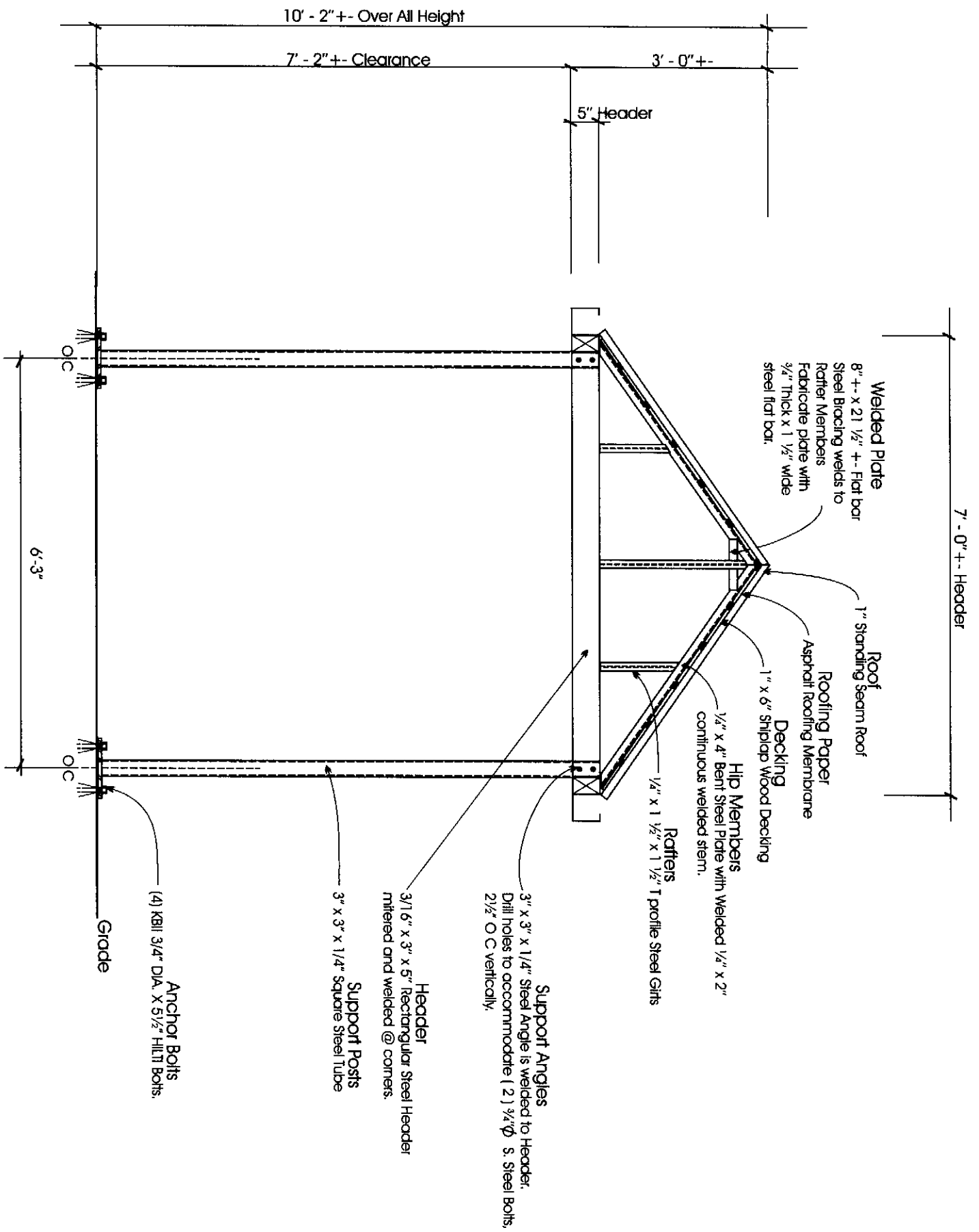
7' - 0" x 20' - 0" Shelter

Sheet Number	Description
S-1	Index Sheet
S-2	Shelter End View
S-3	Shelter Front View and Base Plate Detail
S-4	Shelter Roof Framing Plan, Fastening Detail and Gutter Detail

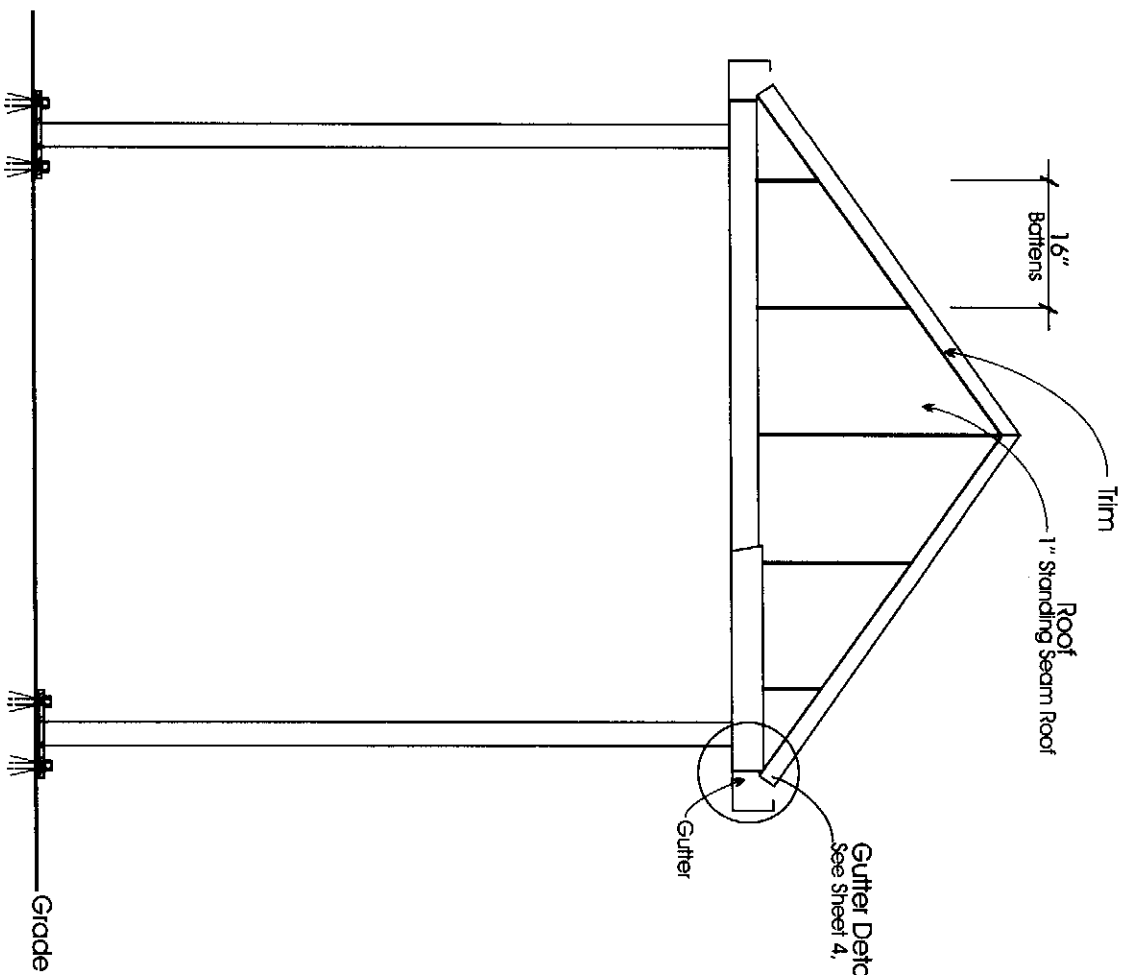
Job Name: Capital Metro	Installation Address:
Salesperson: Hank Hink	Work Order No.
Date: 11-11-08	Artist: Frank J. Kurokata
Sheet 1 of 4	Drawing No. 08F-3044

Revisions	
No.	Date
1	5-7-09
2	
3	
4	

Index Sheet
7' - 0" x 20' - 0" Shelter
(As built)



Section



Elevation

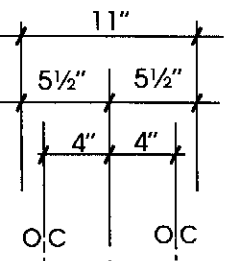
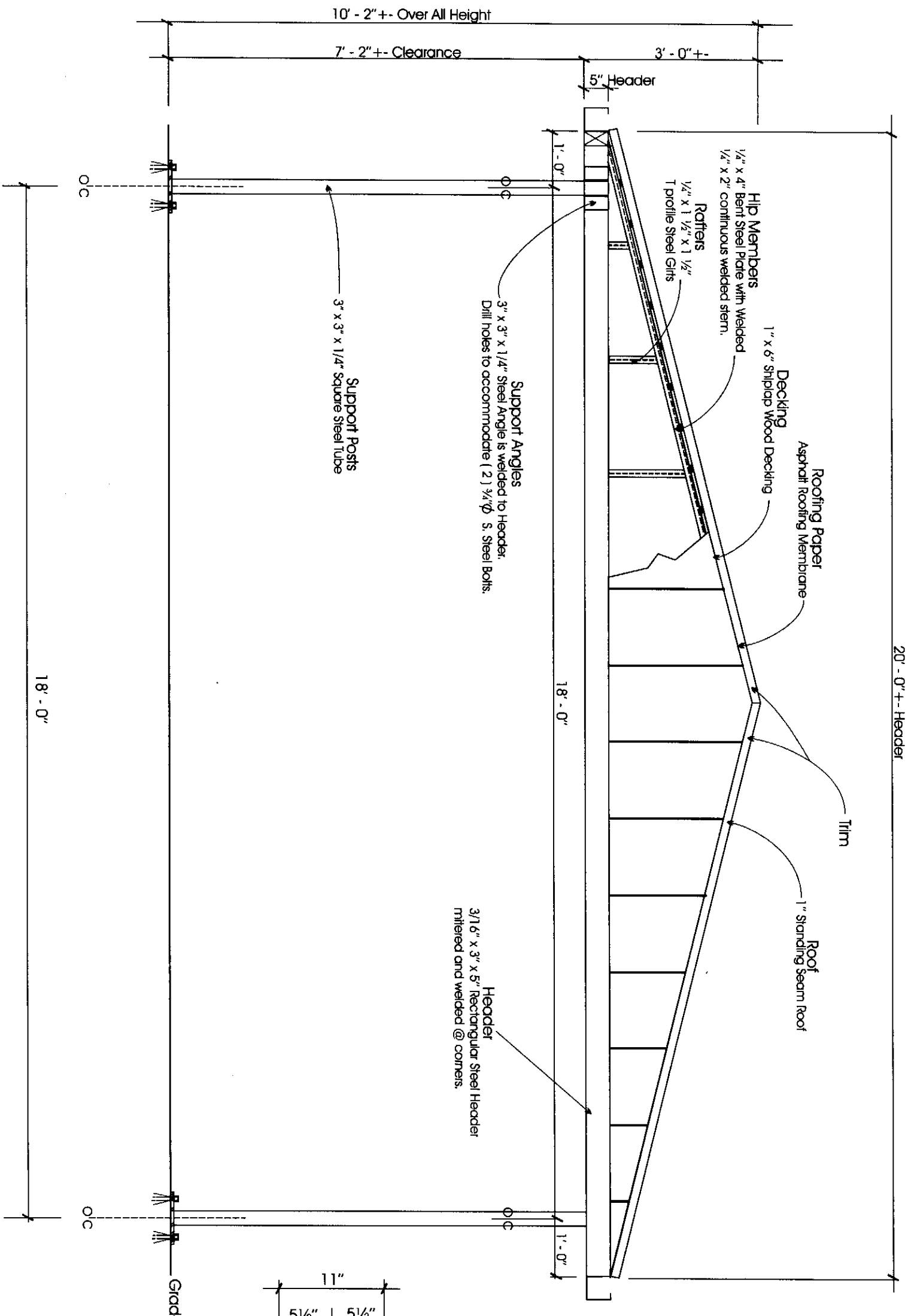
Neon Electric Corporation
NEC
 Designers • Fabricators • Erectors
 Architectural Metal Products
 1122 Lauder Road Houston, Texas 77039
 (281) 987-1144 fax (281) 987-9443

Job Name: Capital Metro
 Salesperson: Hank Hink
 Scale: 1/2" = 1'-0" Date: 11-11-08
 Sheet 2 of 4

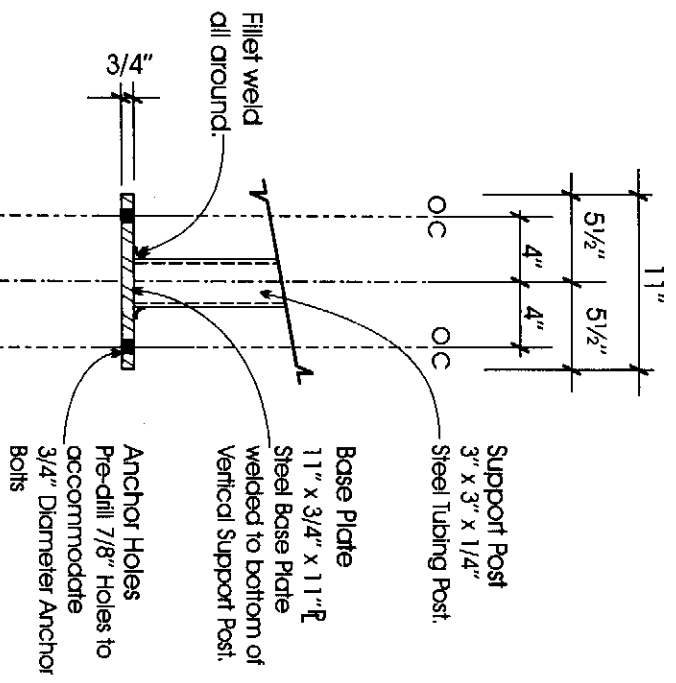
Installation Address:
 Work Order No.
 Artist: Frank J. Kurokoto
 Drawing No. 08F-3044

Revisions	No.	Date	By
	1	5-7-09	FK
	2		
	3		
	4		

Shelter End View
 (As built)



Base Plate Plan
 1 1/2" x 3/4" x 1 1/2" Steel Base Plate welded to bottom
 of Vertical Support Post. Fillet weld all around.
 Make (4) per Shelter



Neon Electric Corporation
NEC
 Designers • Fabricators • Erectors
 Architectural Metal Products
 1122 Lander Road Houston, Texas 77039
 (281) 987-1144 fax (281) 987-9443

Job Name: Capital Metro
 Salesperson: Hank Hink
 Scale: 1/2" = 1'-0" Date: 11-11-08
 Sheet 3 of 4

Installation Address:
 Work Order No.
 Artist: Frank J. Kuroopato
 Drawing No. 08F-3044

Revisions	No.	Date	By
	1	5-7-09	FK
	2		
	3		
	4		

Shelter Front View
 and Base Plate Detail
 (As built)

