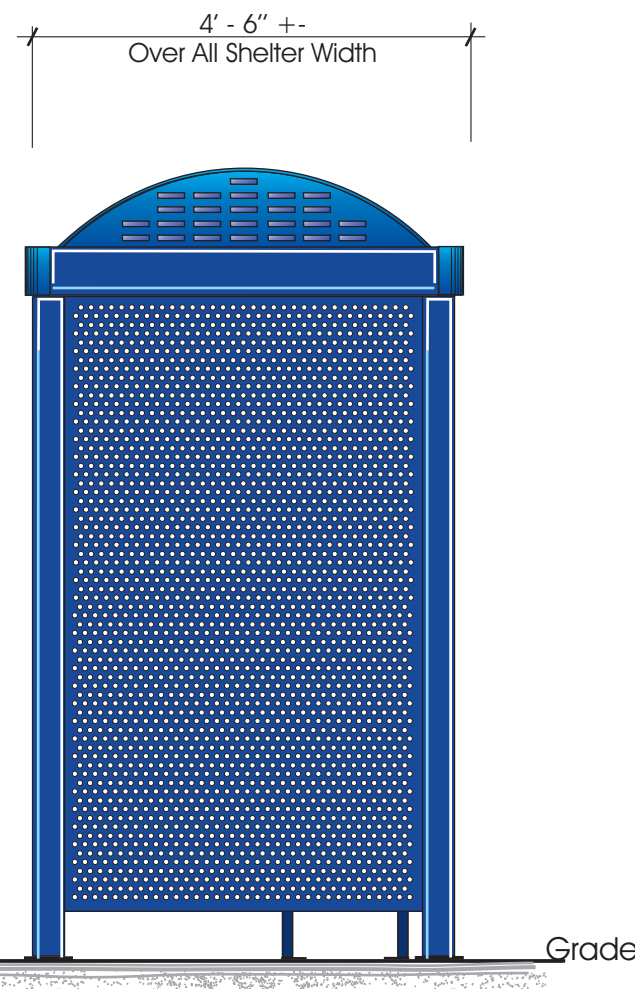


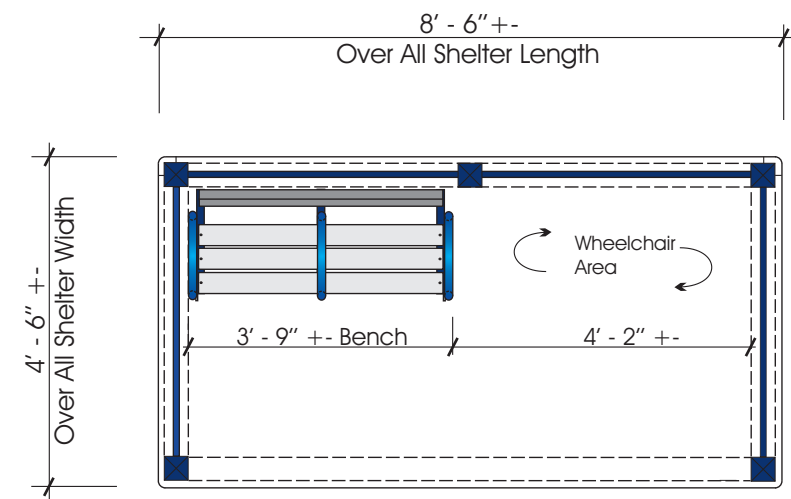
Front Elevation: Type A

Shelters are aluminum and steel construction. Components are powder coated.
Roof panels are White Translucent Lexan.

1/2" = 1'-0"

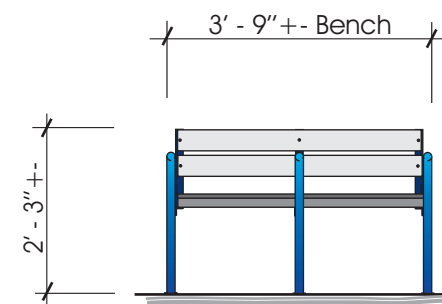


End View:



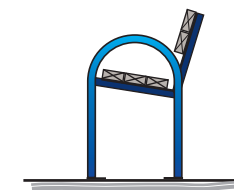
Plan View

3/8" = 1'-0"



Front View of Bench

Rolled pipe frame with composite material seating.



End View

3/8" = 1'-0"

Neon Electric Corporation



Designers • Fabricators • Erectors
Architectural Metal Products

1122 Lauder Road Houston, Texas 77039
(281) 987-1144 fax (281) 987-9443

Job Name: DART Shelter Project

Salesperson: Hank Hink

Scale: Shown Date: 5-14-07

Sheet 1 of 1

Installation Address:

Work Order No.

Artist Jgonzalez

Drawing No. 13060-GXA

Revisions

No.	Date	By
1		
2		
3		
4		

DART Shelter Type A

4' - 6" +/- x 8' - 6" +/-

Barrel Vault Roof Shelter